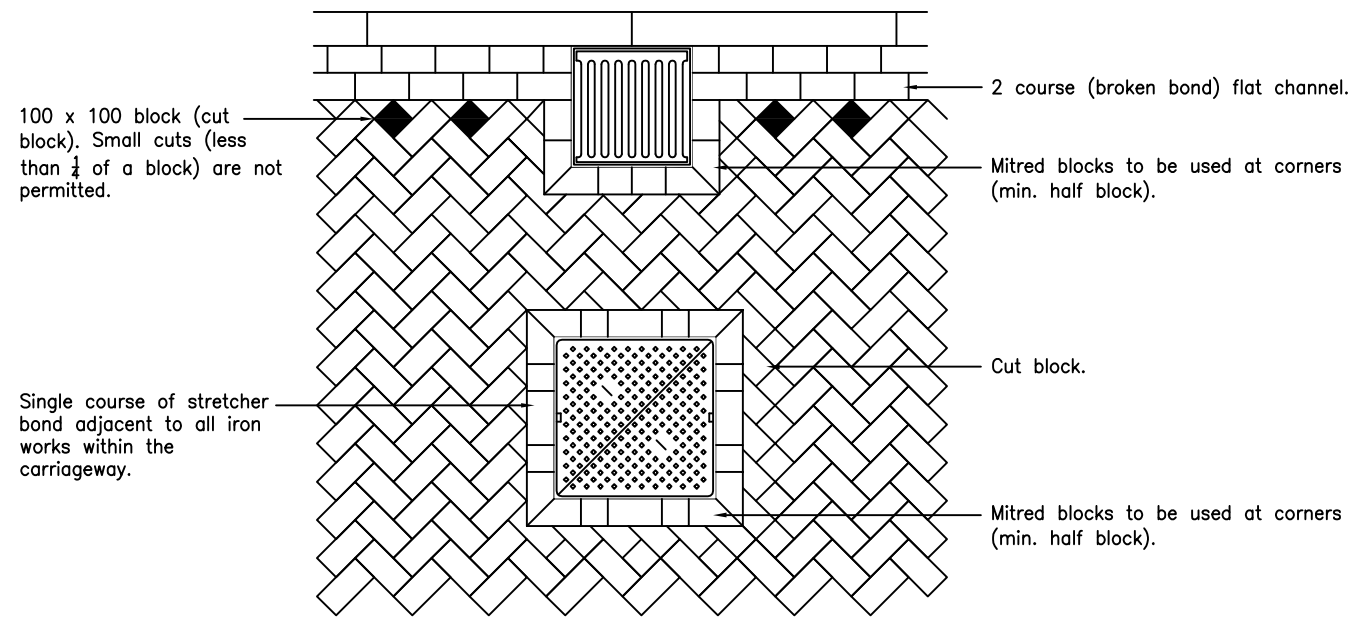


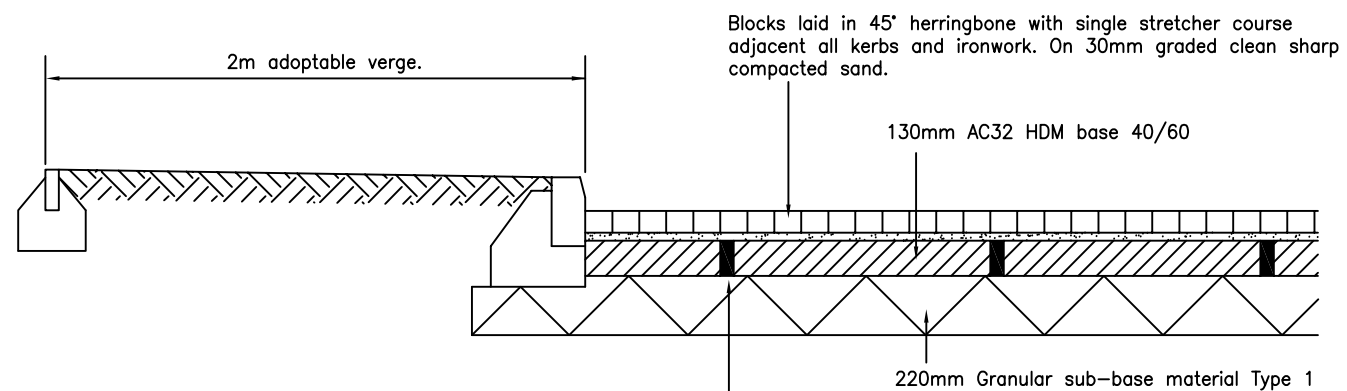
Notes

1. All dimensions are in millimetres



In all block paved areas specifically designed ironworks which allow blocks to be laid up to the frame of gully gratings and manhole covers should be used.

GULLY & MANHOLE COVER DETAIL



Prior to laying concrete blocks, temporary running surface to be cleaned and 50mm diameter holes drilled or cored @ 1m centres through bitumen base into sub-base and filled with 5mm clean stone.

Note: Each hole to be covered with Inbitex or similar approved, and extended to a minimum of 150mm either side of the hole to prevent loss of laying course.

TYPICAL CROSS SECTION

CBR VALUE ON SUB-GRADE	ROAD SUB-BASE	PATH SUB-BASE
>30%	0	0
<=30%	150	150
<=15%	200	150
<=5%	350	150
<=2%	550	300

Do not scale this drawing

Rev	Date	Checked



Project **STANDARD DRAWINGS**

Title **BLOCK PAVED ROADS**

Drawing No.
SD/900/06

Scale N.T.S. Date **MAR 11**

Department of Environment,
Culture & Communities