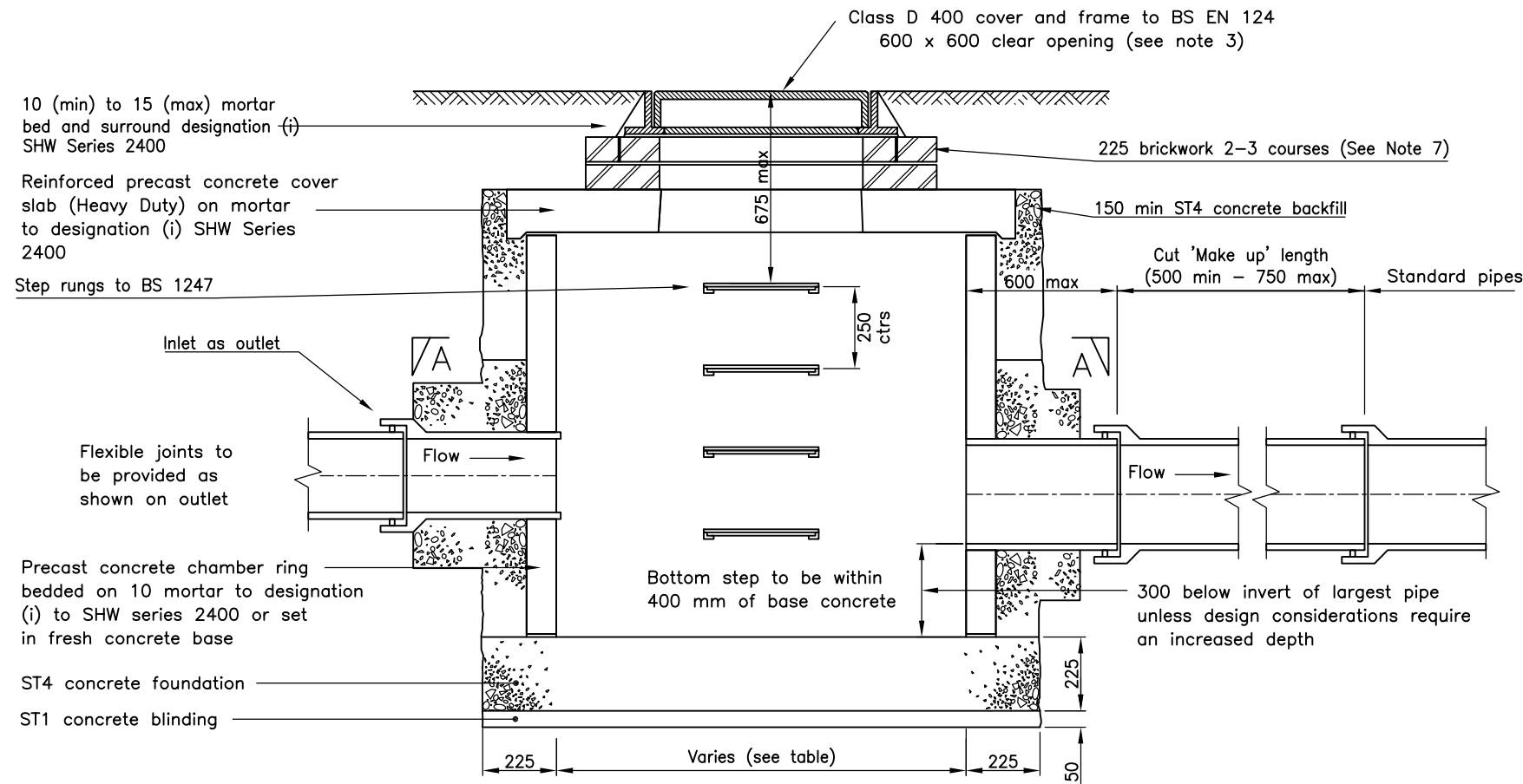
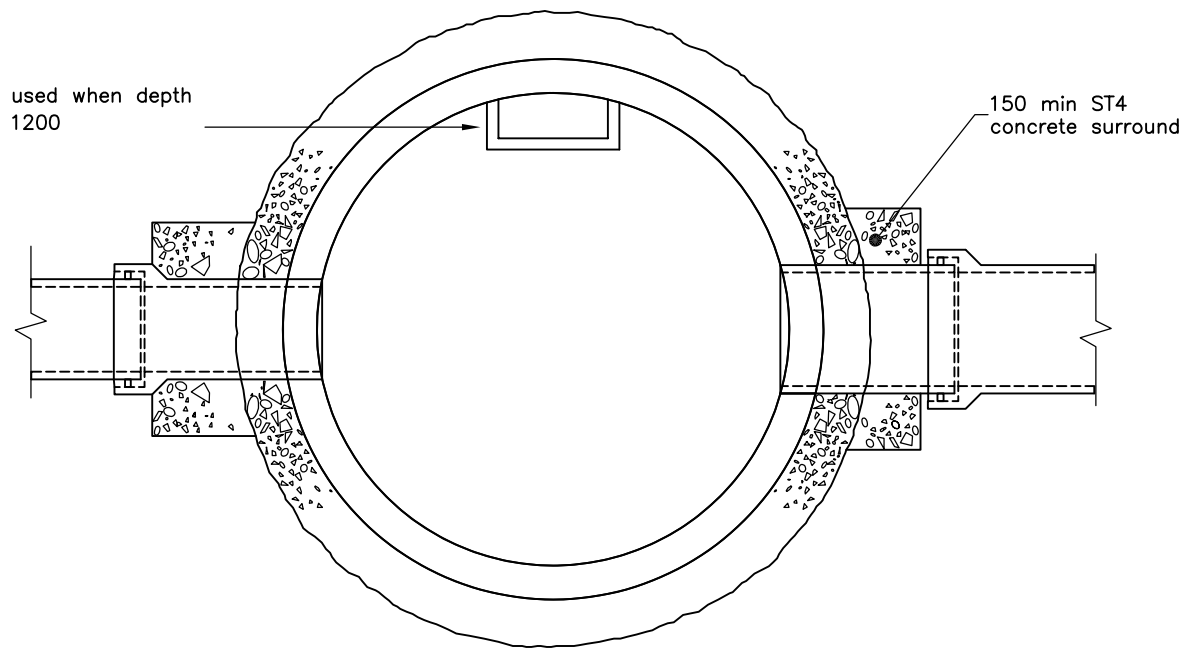


- Notes
- All dimensions are in millimetres
  - Water Authorities Association guide Sewers for Adoption applies except where modified by this drawing.
  - Cover and frame to be Class D400 Badgemarked, HD, and Kitemarked and have a protective coating complying with BS EN 124: 1994. In areas of block paving an 'infill' type cover may be required.
  - Catchpits to be positioned so that no part of the structure is under the kerb.
  - Entrance to catchpits to be positioned with consideration for safety.
  - Concrete to accord with:  
BS EN 206-1  
BS 8500-1 & 2  
BS 8000
  - Bricks to be to BS EN 771 HD Class B laid in English Bond in mortar to designation (i) SHW Series 2400.
  - Precast concrete chambers shall comply with BS EN 1917.
  - Mortar to designation (i) SHW Series 2400 or a proprietary sealant shall be used in all joints between precast concrete units.
  - Finish to internal concrete to be F1 on formed surfaces and U2 on unformed surfaces.
  - All voids beneath the catchpit structure shall be backfilled with ST1 concrete.
  - Ends of pipes shall be neatly built into the chamber and finished flush with mortar to designation (i) SHW Series 2400.
  - The nearest joints to chamber shall not be restricted by concrete
  - Safety chains or grills must be provided where pipe diameter exceeds 600.
  - Surface level tolerance +0 -6 in paved areas +15 -15 in verges.
  - The approval of the Director is required for the use of any chamber diameter below 1200.



Step rungs not to be used when depth to invert is less than 1200



Section A-A

Internal diameter of chamber	Diameter of largest pipe in chamber
1050	See note 16
1200	Less than 375
1350	375 - 450
1500	500 - 700
1800	750 - 900

CATCHPIT SIZES

Do not scale this drawing

A	MAR 11	Amendments to steps, concrete and BS/EN standards	KPT
Rev	Date		Checked

Project

STANDARD DRAWINGS

Drawing No.

**SD/500/5A**

Title

CATCHPIT TYPE 1  
PRECAST CONCRETE CONSTRUCTION  
(Permitted Range of Depths-Cover to sump 1.2m-3.0m)

Scale NOT TO SCALE

Date May 04

Department of Environment,  
Culture & Communities

