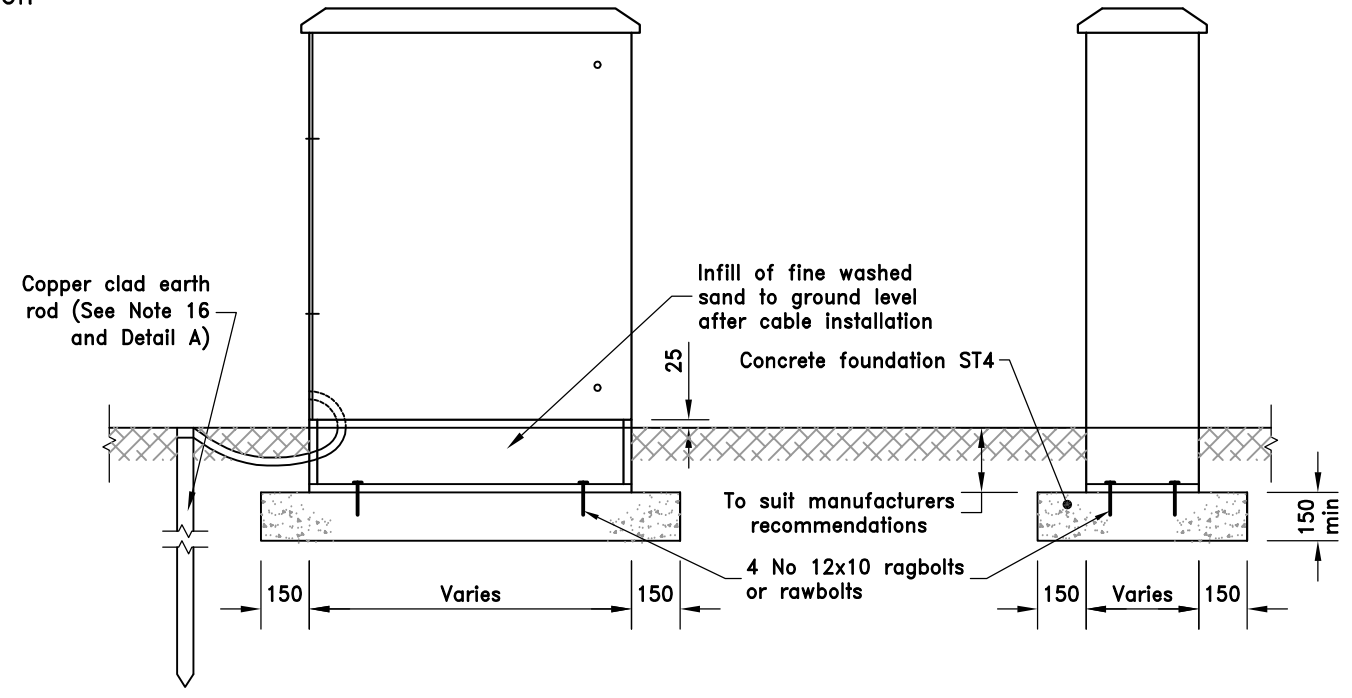
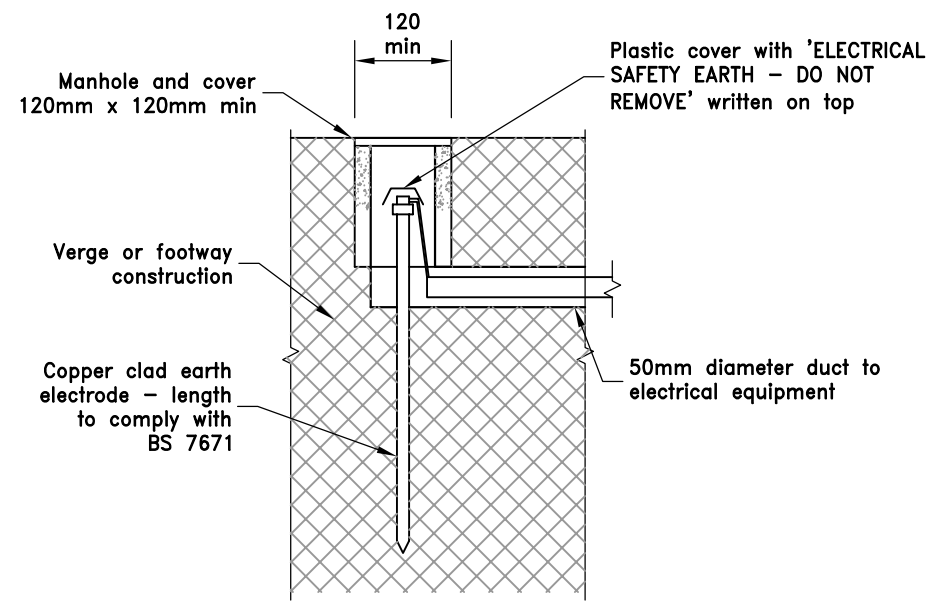


COLUMN FOUNDATION DETAILS



- Notes**
- All dimensions in millimetres.
 - All equipment to be to the specification and/or approval of the Engineer.
 - All equipment to be sited within the highway boundary.
 - Lighting columns must be sited to suit the design of the system and will normally be erected at the back of footway, cycleway or highway verge. A minimum clearance of 1800 from the face of kerb is required.
 - Illuminated signs or signs over 600 wide must not be fixed to lighting columns.
 - All columns to be painted with two coats of gloss paint to BS4800 colour as specified.
 - Galvanised columns to be painted with etching primer prior to gloss painting.
 - Columns to be painted to 250 above GL with black bitumastic paint.
 - Special foundations are required for certain types of columns and the Engineer should be consulted for details.
 - All columns shall be planted so the door is safely accessible.
 - Backfill to excavations in paved areas must be Type 1 sub-base material.
 - Class 8 lower trench fill to be to Clause 503.
 - A hardstanding of concrete paving slabs is required in front of feeder pillar doors in verges.
 - Where possible all cables must be laid in 100 dia. orange uPVC duct. See SD/500/3A for cable duct details.
 - An earth electrode must be fitted on the last column of each run.
 - Earth rods to comply with IEE regulations. Min length 1500.
 - All columns must be identified by a unique number stencilled in black paint. The numbers will be provided by the Engineer.

Do not scale this drawing

A	Mar 11	Lighting column foundation	KPT	PAT
Rev	Date		Checked	



Project
STANDARD DRAWINGS

Title
**STREET LIGHTING
COLUMN & FEEDER PILLAR FOUNDATION DETAILS
Cabling and Jointing**

Drawing No.
SD/1300/02A

Scale NOT TO SCALE Date Nov 05

Department of Environment,
Culture & Communities