

Notes

1. All dimensions are in millimetres
2. All kerbs to BS EN 1340
3. All insitu concrete to foundation and haunch to be ST4 concrete
4. Kerb foundation to be laid on rolled sub-base of minimum thickness 100
5. The kerb bed and backing shall normally be laid in one operation
6. Where bed is laid in advance of kerbs 200 x 20 dia mild steel dowel bars will be required in backing at 450 centres and kerbs will be bedded on 10 min mortar designation (i) SHW Series 2400
7. Dowel bars may be required in backing to standard kerbs in circumstances where the kerbs are vulnerable
8. 300 x 16 dia dowel bars at 450 centres must be used with Safety Kerbs unless the backing concrete is brought level with top of kerb
9. Kerbs shall be laid with dry joints and closely butted to adjacent kerbs and channels
10. Transition kerbs to be used at all changes in kerb face
11. Channel blocks to be used where gradient is flatter than 1:150
12. For radii of 12m or less kerbs and channels of the appropriate radius shall be used
13. For radii between 12m and 18m straight kerbs 600 long shall be used
14. Cutting of kerbs and channels shall be by approved mechanical means
15. The length of any kerb or channel shall not be less than 300
16. Where channel blocks are laid to false falls the kerb face must be 100 min - 150 max
17. All kerbing supporting verge areas shall be backed as shown for SP kerb.
18. Conservation kerbs to be silver grey as manufactured by Marshalls Ltd. (or equivalent approved product).

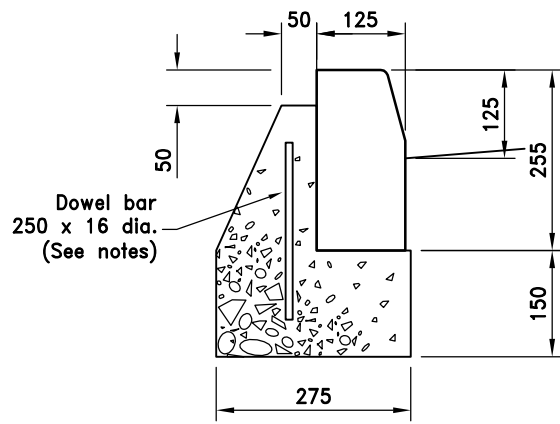
Do not scale this drawing

A	MAR 11	Various minor amendments	KPT
Rev	Date		Checked

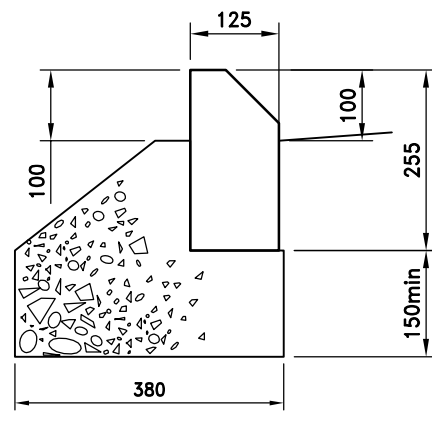
Drawing No.  
**SD/1100/01A**

Scale NOT TO SCALE Date MAY 04

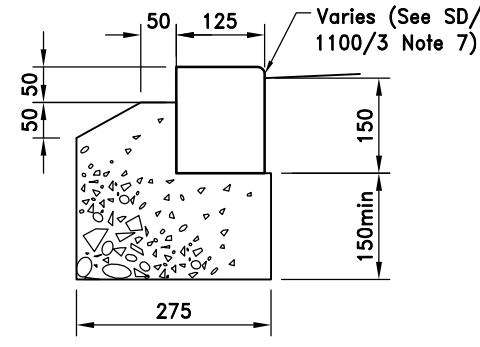
Department of Environment,  
Culture & Communities



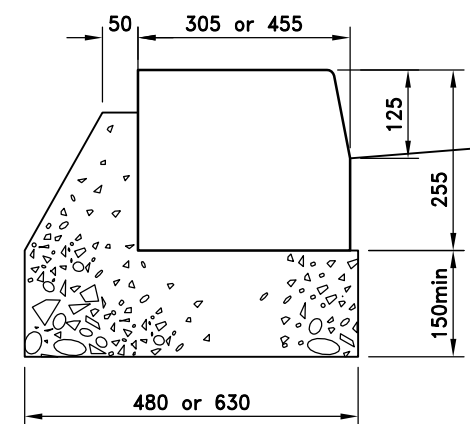
**HALF BATTER  
HB2 KERB**  
See Note 7



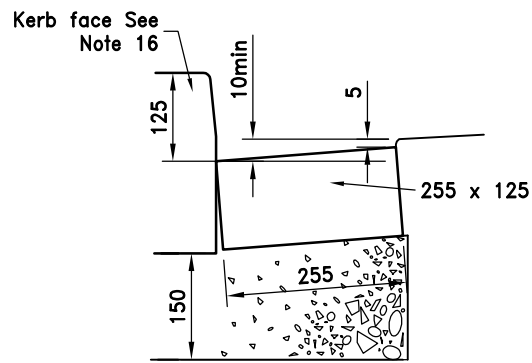
**45° SPLAY  
SP KERB**



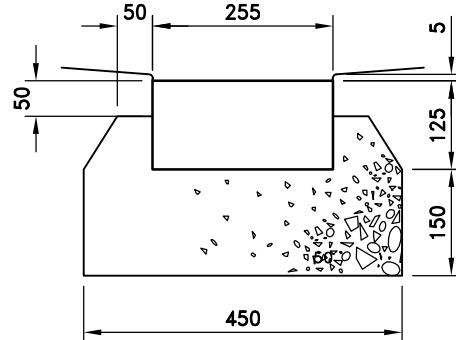
**BULL NOSED  
BN KERB**



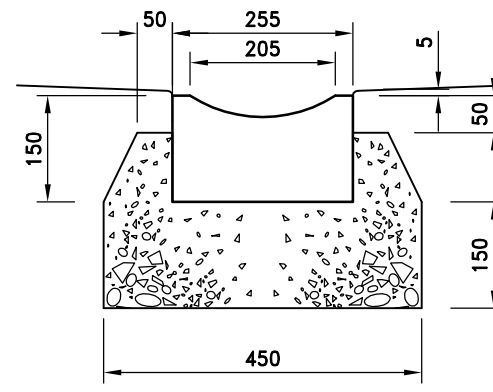
**QUADRANT  
QHB2 KERB**  
See Note 19



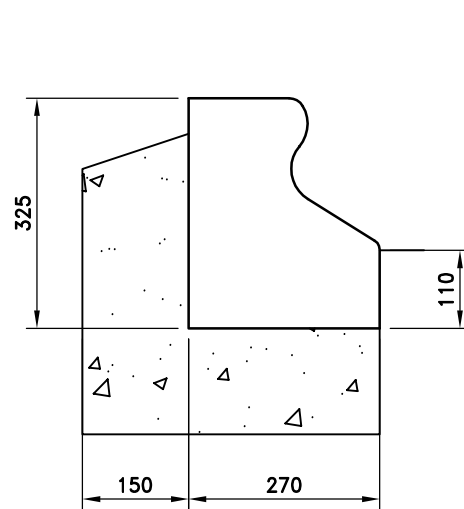
**SQUARE CHANNEL  
CS1 - Against kerb**  
See Note 17



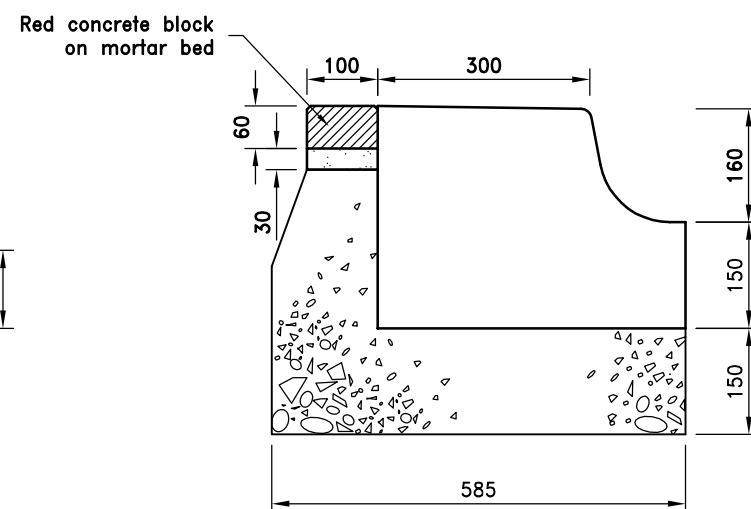
**SQUARE CHANNEL - CS1**



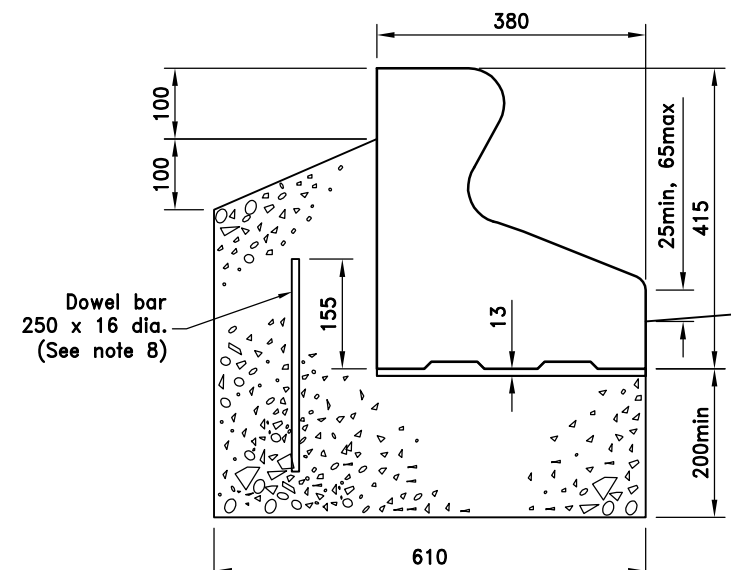
**DISHED CHANNEL - CD  
(Footways only)**



**MINI TRIEF**



**KASSEL KERB 160**



**SAFETY KERB GST/2A**



Project

STANDARD DRAWINGS

Title

CONCRETE KERBS AND CHANNELS