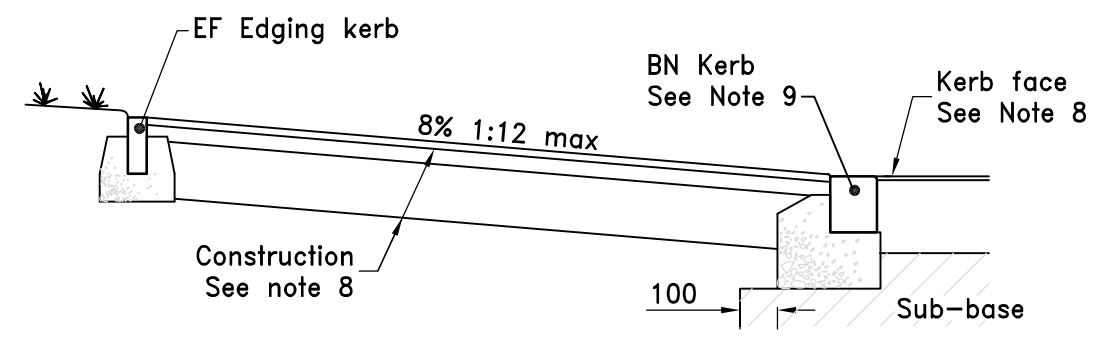
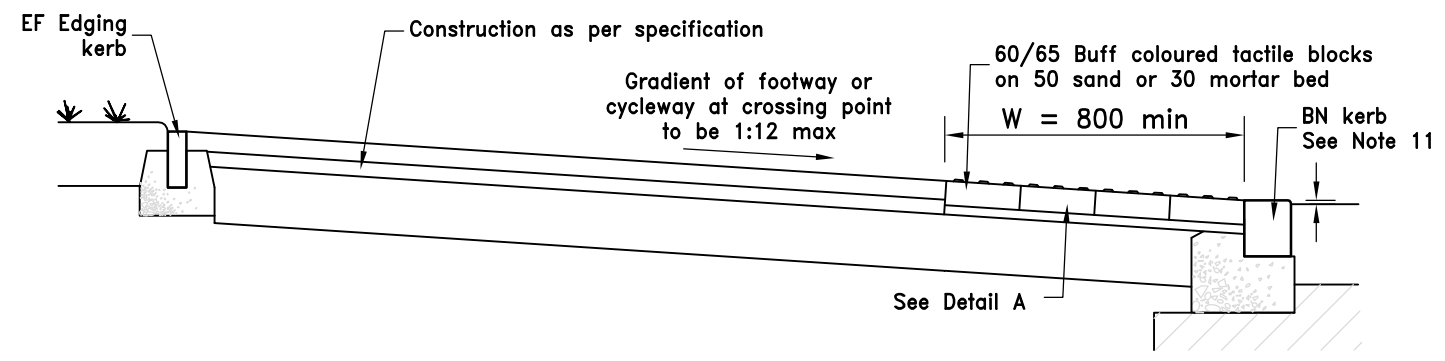


FOOTWAY (Type 1) WITH VERGE
Typical Section



PEDESTRIAN DROPPED KERB CROSSING POINT (Type 1)
Typical Section



UNCONTROLLED CROSSING POINT
Typical Section

Do not scale this drawing

Vehicular Crossover Constructions

Domestic Vehicular Crossover (Type 2)

- 20 AC6 medium surf 100/150
- 60 AC20 dense bin 100/150
- Type 1 sub base material to Clause 803 SHW (for thickness see table below)

Heavy Duty Crossover (Type 3)

- 20 AC6 medium surf 100/150
- 70 AC20 dense bin 100/150
- 100 AC32 HDM base 40/60
- 150 Type 1 sub-base material to Clause 803 (for thickness see table below)

Heavy Duty Crossover (Type 4)

- 20 AC6 medium surf 100/150
- 70 AC20 dense bin 100/150
- 100 AC32 HDM base 40/60
- 150 CBM3 concrete to Clause 1038 SHW (for CBR values of less than 2% add 150 Type 1 sub base material to Clause 803)

Sub-base thickness	
CBR 2% or greater	150
CBR below 2%	300

Notes (continued)

- 19. Where shared footway/cycletracks have a speed limit of 40mph or above, a 300 wide red anti-skid safety strip is to be situated directly behind back of kerb.

Drawing Number
SD/1100/03A

- Notes
1. All dimensions are in millimetres.
 2. For tactile paving layouts see SD/1100/8C.
 3. Footways and verges shall be 2000 wide except where otherwise approved. The width of cycleways and shared facilities shall be approved by the Director. A 2000 wide verge must be provided behind footways and cycleways on embankments.
 4. General thickness of Type 1 material is 150 for CBR values of 2% and over. For CBR values below 2% this should be increased to 300. An additional 150 of Type 1 material to be laid if footway or cycleway is on embankment.
 5. Footway and highway verges shall normally fall at 1:40, (1:30 max) towards the highway.
 6. Construction thickness shall be increased at vehicular crossing points (see tables) and where vehicle damage is likely.
 7. Kerbing details to be as shown on drawings SD/1100/1A and 2 except where modified by this drawing.
 8. Crossing points shall be constructed as shown. Construction thickness shall be increased at vehicular crossing points, see Tables
- Kerb faces shall be:
- | | |
|---------------|---------------|
| Pedestrian | 0-6 |
| Tactile paved | 0-6 |
| Vehicular | 25 (+ or - 6) |
9. Minimum number of bullnosed kerbs at crossing points shall be:

Pedestrian	2
Vehicular	4 single drive 7 double drive
 10. Taper kerbs are required at changes in kerb face at crossing points.
 11. Edging kerbs shall be provided on all free edges of paved areas and verges not confined by a kerb.
 12. Vertical alignment of back edging shall be maintained at crossing points and the crossing graded from edging to carriageway level.
 13. Macadams shall comply with BS EN 13108 & BS 594987, Sub-base shall be D.O.T Type 1 material.
 14. For block paved construction see SD/1100/4A.
 15. All soft spots and organic material must be removed before construction.
 16. Formation to be sprayed with approved non-toxic weedkiller.
 17. Verge areas shall have a 150 covering of topsoil spread 25 above top of kerb or edging to allow for settlement and shall be seeded in accordance with the Specification
 18. Existing verges adjacent to new kerbing must be regraded and seeded.

Rev	Date	Description	Checked
A	MAR 11	Various minor amendments	KPT

Drawing No.
SD/1100/03A

Scale NOT TO SCALE Date MAY 04

Department of Environment,
Culture & Communities



Project
STANDARD DRAWINGS

Title
**FOOTWAYS, CYCLETRACKS & VEHICULAR CROSSOVERS
FLEXIBLE CONSTRUCTION**