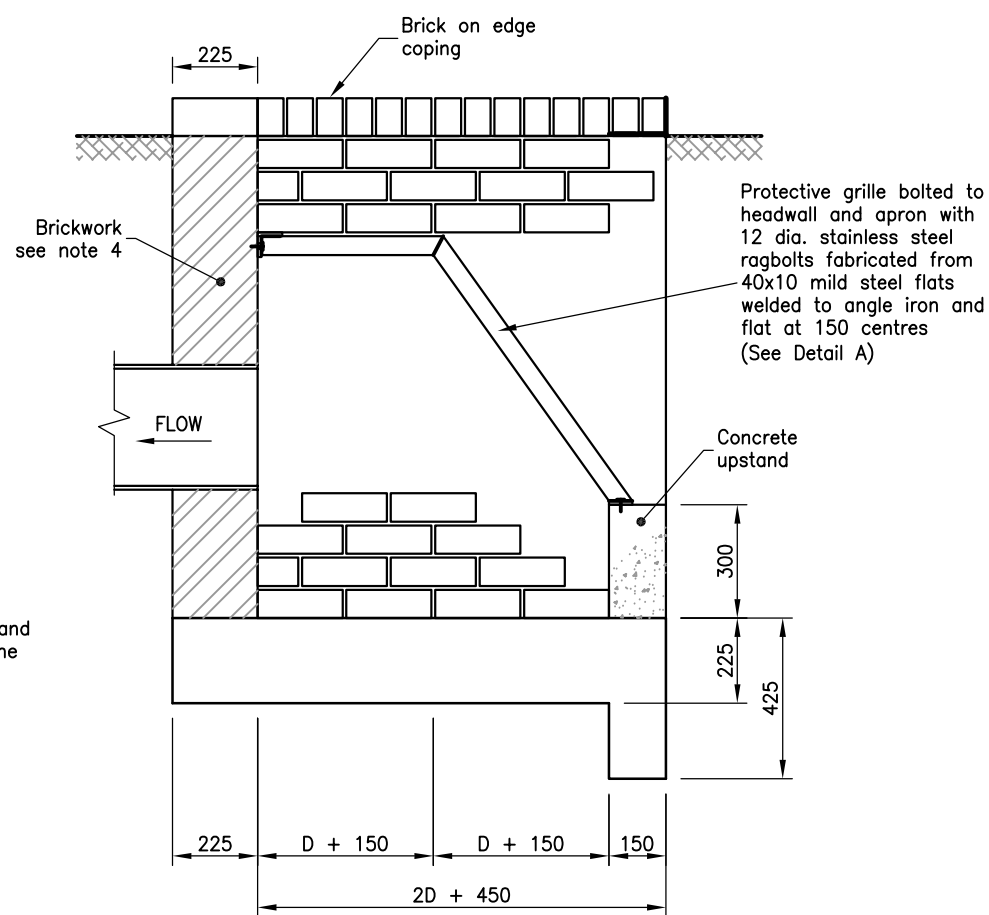
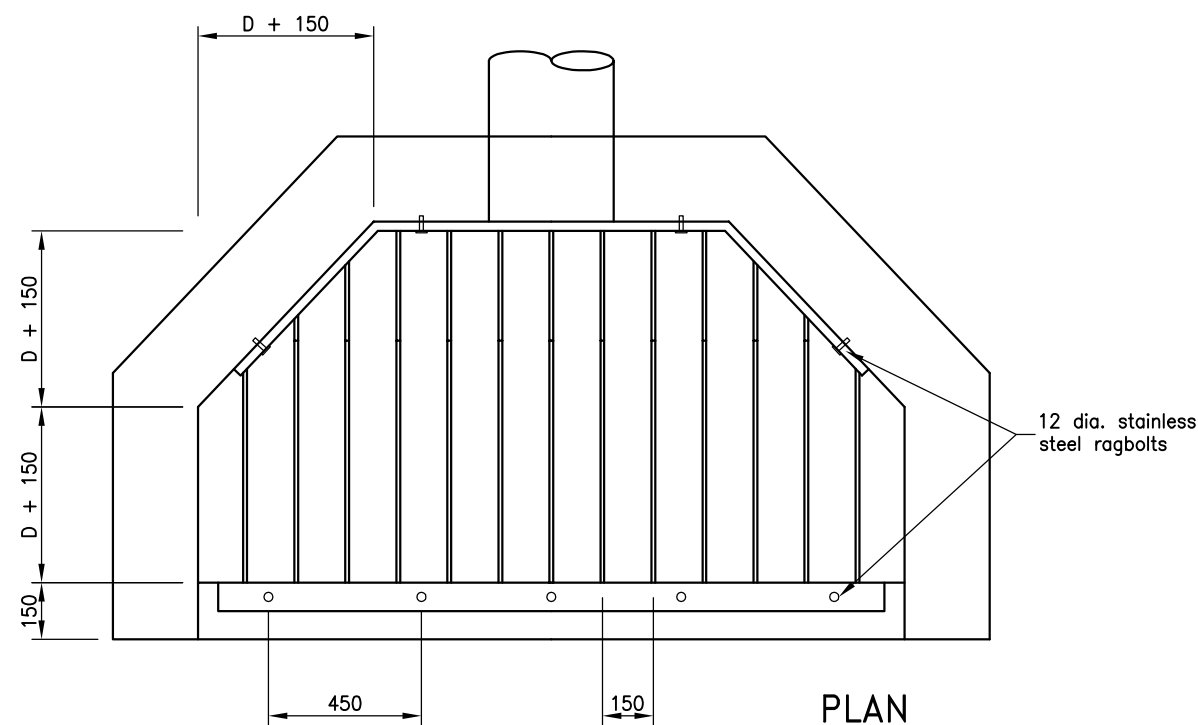


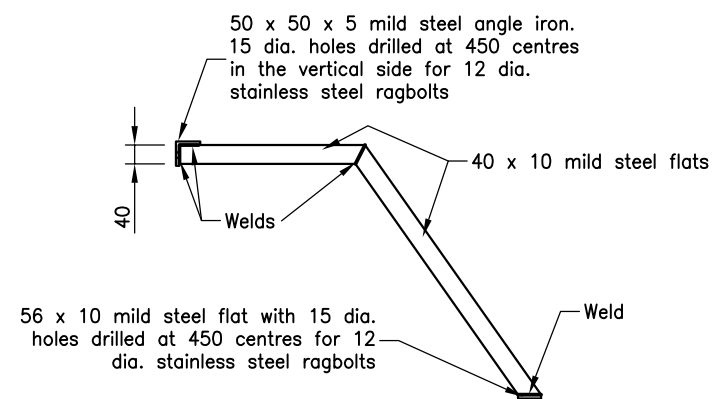
ELEVATION
(Grille omitted for clarity)



SECTION A-A



PLAN



DETAIL A
Prefabricated Protective Grille

- Notes
- All dimensions are in millimetres unless shown otherwise.
 - Piping of ditches must have the consent of the EA and the landowner.
 - Brickwork constructed in bricks to BS EN 771 HD Class B in English Bond flush pointed with mortar to designation (i) SHW Series 2400.
 - Brickwork to be:
225 Thick for $H < 1.2m$
337 Thick for $H > 1.2m$
 - Concrete to be grade ST4.
 - Unformed surfaces to be U2 plain finish.
 - Protective grills must be fitted to all pipes over 300 dia.
 - Grill assembly to have hot dip galvanised finish to BS EN ISO 1461:1999 after fabrication.
 - Purpose made units may be used with the approval of the Engineer.
 - Where headwall is adjacent to a footway or cycletrack, a pedestrian guard rail or timber fence is to be provided as determined by the Engineer.

Do not scale this drawing

Rev	Date	Description	Checked
A	Mar 11	Amendments to BS/EN standards. Fencing note added.	KPT



Project

STANDARD DRAWINGS

Title

HEADWALL TYPE 1
UPSTREAM FROM PIPE – PIPES 825Ø AND OVER
BRICKWORK CONSTRUCTION

Drawing No.

SD/500/10A

Scale N.T.S

Date MAY 04

Department of Environment,
Culture & Communities