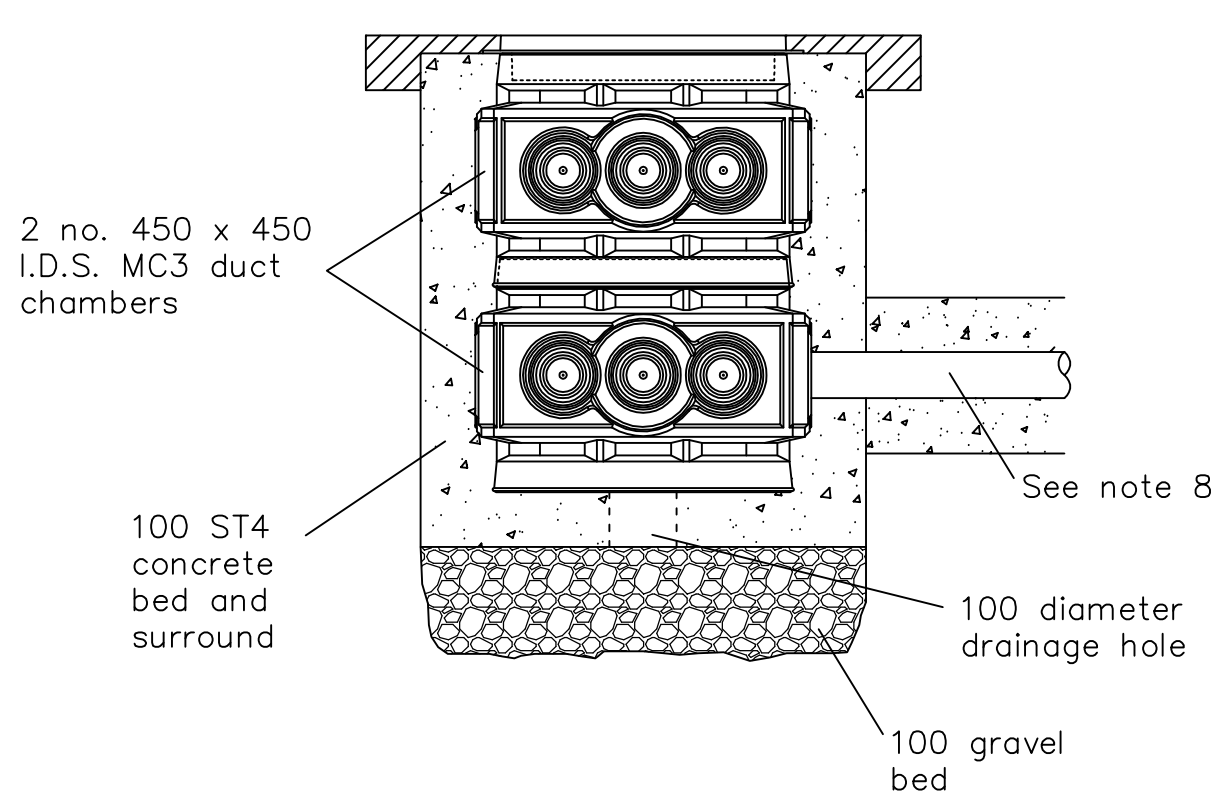


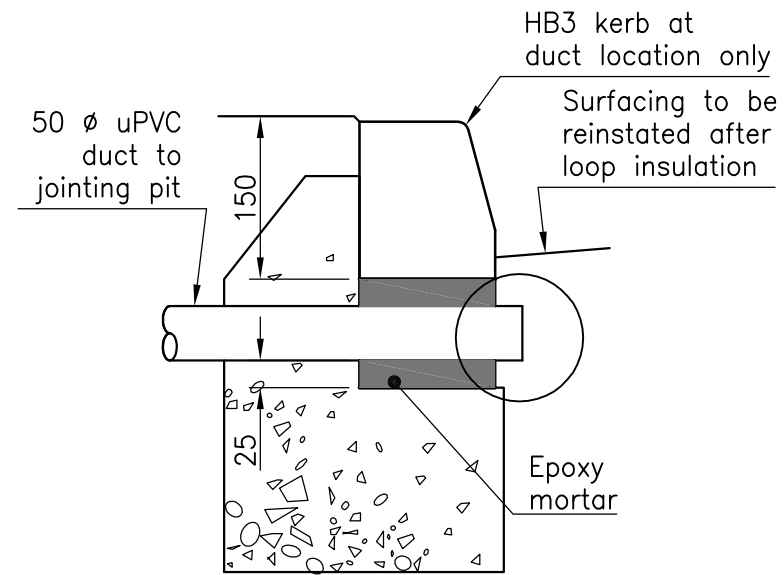
Drawing Number  
SD/500/13A

Notes

1. All dimensions are in millimetres
2. All chambers to be located in footway, traffic island or verge. The position of all chambers and ducts to be agreed with the Engineer.
3. Size of chamber used will depend on the depth and number of ducts to be accommodated (typical 450 x 450 chamber shown for construction detail only).
4. Standard Units shall be as manufactured by Integrated Ducting Systems, or similar approved.
5. Base units for all chambers to be bedded on and surrounded with ST4 concrete 150 thick.
6. 100 gravel drainage layer with 100 diameter hole to be incorporated unless otherwise specified.
7. Covers to be galvanised or composite with an unlock and lift device and badgemarked Traffic Loop, Traffic Signals or Street Lighting as appropriate.
8. See SD/500/3A for cable duct details.
9. Duct and box for traffic signal loops shall be manufactured and installed to the approval of the Director.
10. Where channel blocks are used the ducts shall extend to 25 in front of the face of the channel block.



SECTION



DUCT CONNECTION TO TRAFFIC LOOP

Do not scale this drawing

Rev	Date	Checked
A	Mar 11	KPT
	Change of chamber type	

Project

STANDARD DRAWINGS

Title

JOINTING CHAMBERS  
FOR TRAFFIC SIGNAL & STREET LIGHTING CABLES

Drawing No.

SD/500/13A

Scale NOT TO SCALE

Date MAY 04

Department of Environment,  
Culture & Communities

