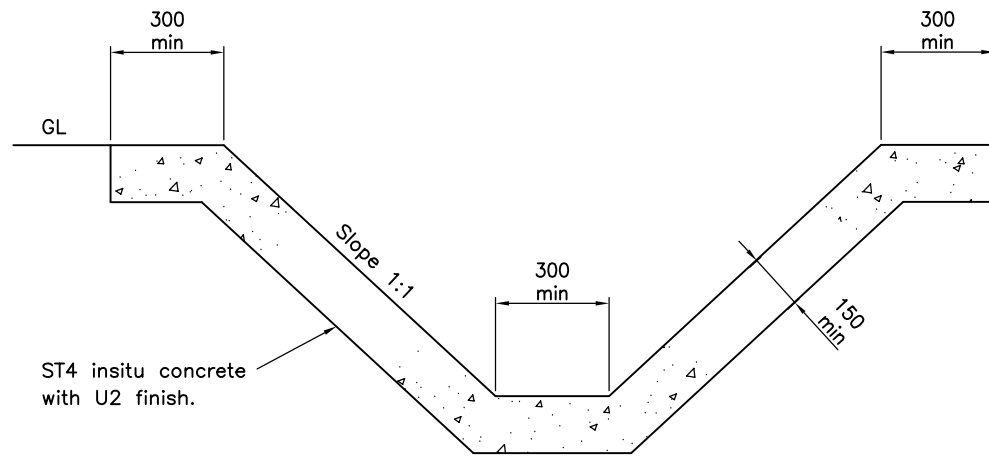
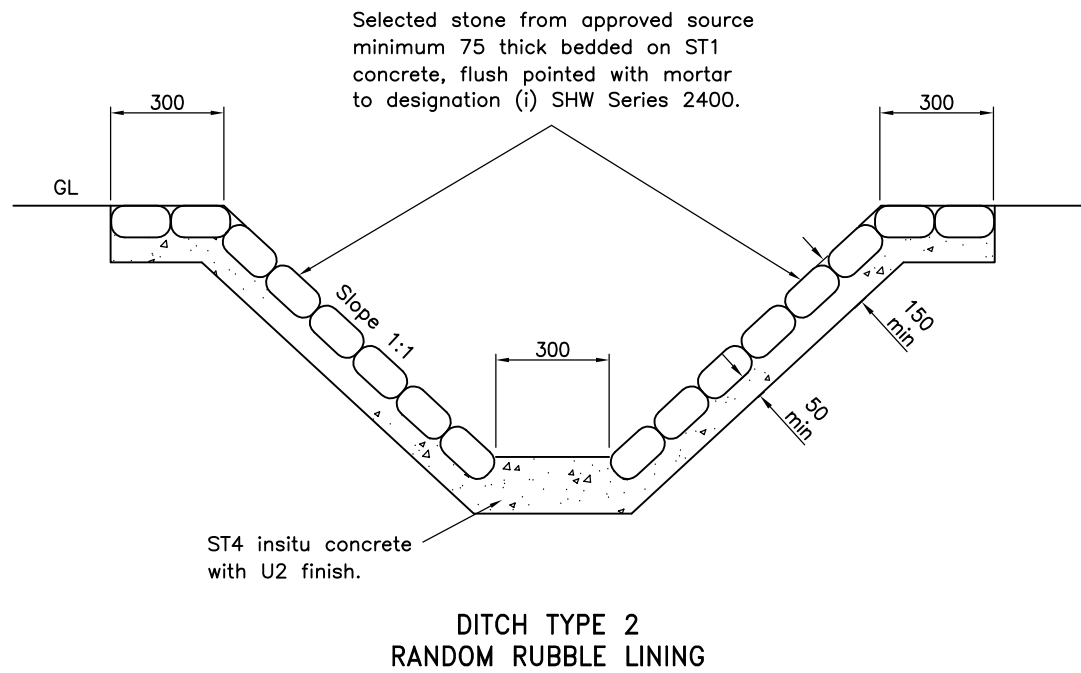
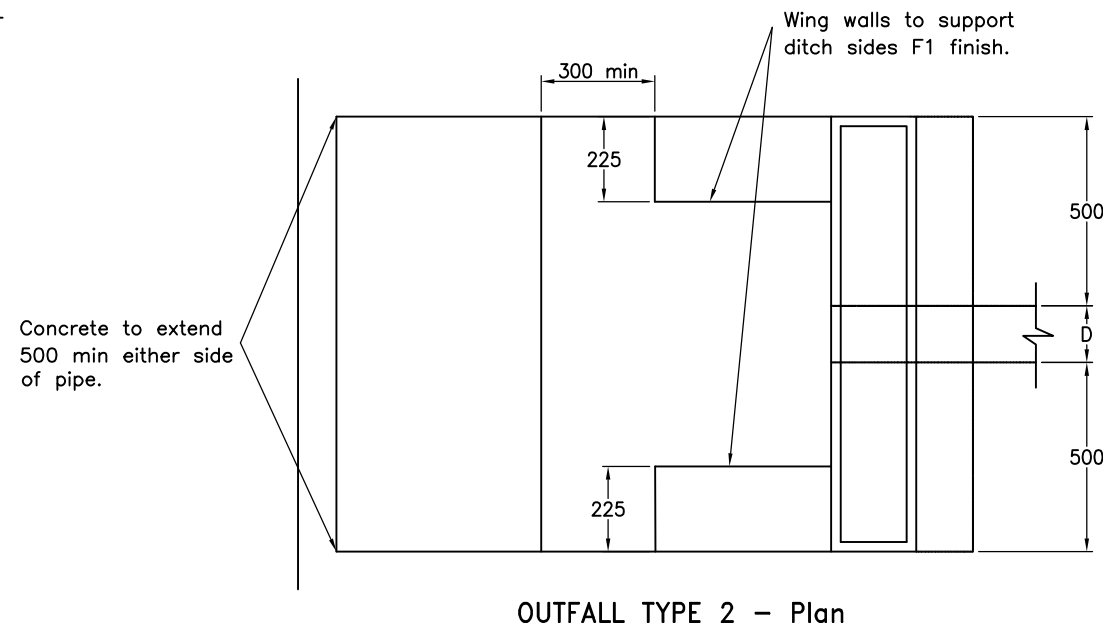
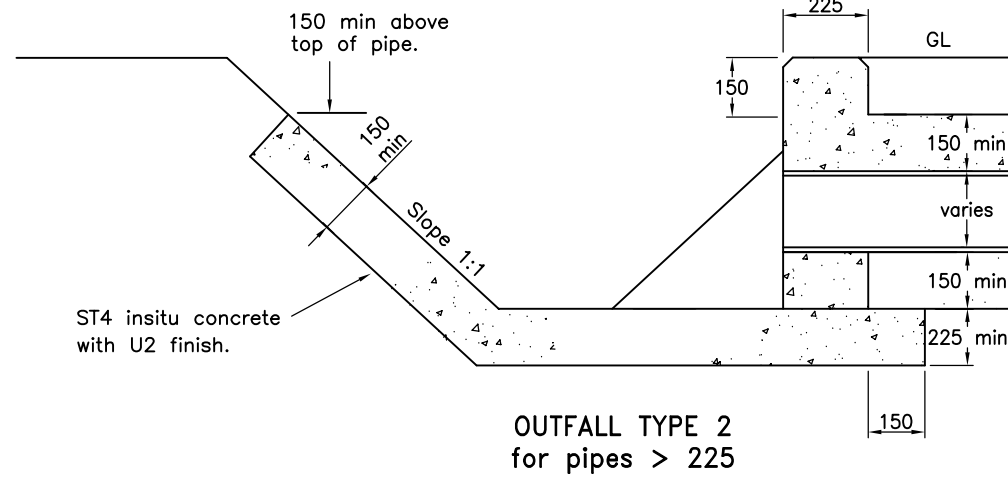
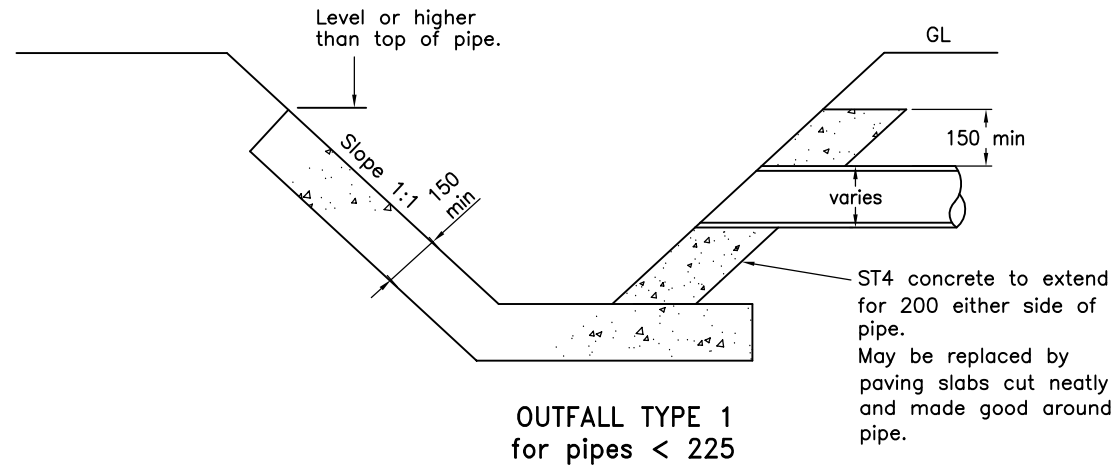


- Notes
1. All dimensions are in millimetres
 2. Standard ditches are unlined with the same profile. Protection at outfalls is always required.
 3. All work to existing ditches must have the consent of the EA Local Authority and the landowner.
 4. Pre-cast concrete paving slabs to BS EN 1339.
 5. Formed surfaces to be Class F1 finish.
 6. Unformed surfaces to be Class U2 plain finish.
 7. Outfall Type 2 may be constructed in bricks to BS EN 771 HD Class B laid in English Bond in mortar to designation (i) SHW Series 2400. Brickwork must be finished with a brick on edge coping.
 8. A pre-formed connection may be used with the approval of the Engineer.



**DITCH TYPE 1
CONCRETE LINING**



Do not scale this drawing

Rev	Date	Description	Checked
A	Mar 11	Various construction amendments	KPT

Project

STANDARD DRAWINGS

Drawing No.

SD/500/9A

Title

LINED DITCHES AND OUTFALLS

Scale NOT TO SCALE

Date MAY 04

Department of Environment,
Culture & Communities

