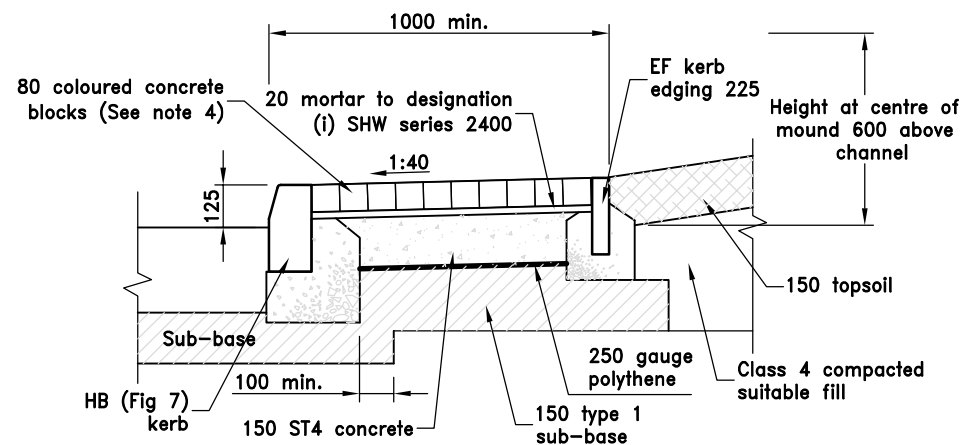
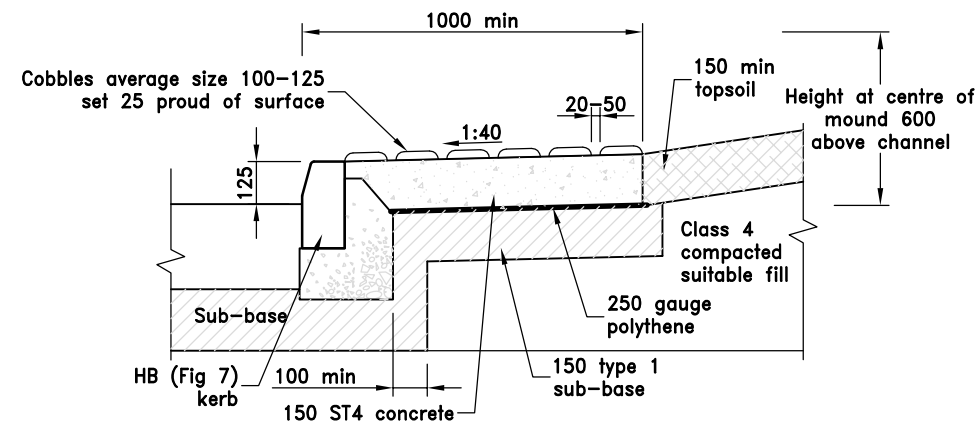


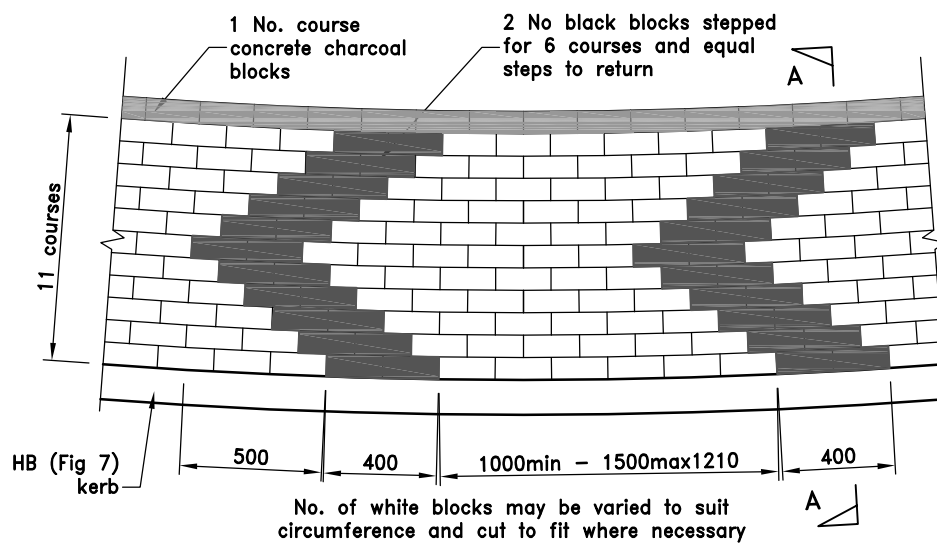
**OVER-RUNNABLE STRIP FOR ISLANDS IN SMALL ROUNDABOUTS – Type 10**



**BLOCK PAVED EDGE STRIP – Type 10**

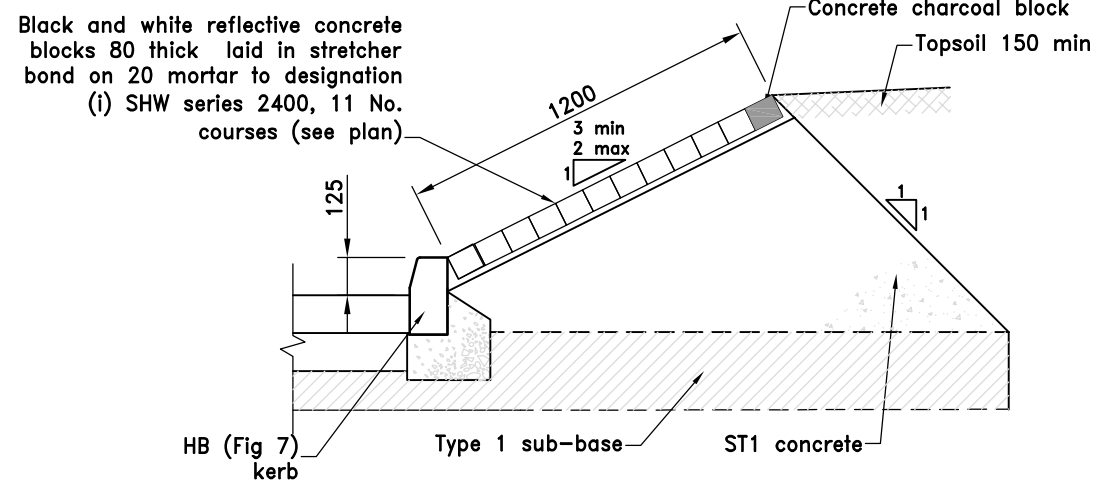


**COBBLED EDGE STRIP – Type 11**



**PLAN**

**CHEVRON PAVING DETAIL – Type 12**  
See Note 12



**SECTION A-A**

**Notes**

1. All dimensions are in millimetres
2. This drawing shall be read in conjunction with Drg. No. SD/1100/1A.
3. All concrete blocks must comply with BS EN 1338.
4. The colour of concrete blocks must be approved by the Director. Red preferred for edge strips.
5. Block paving to be laid in stretcher bond to BS 7533.
6. Width of paved edge strip may be increased to suit other design considerations.
7. Concrete pavements to be constructed in 5000 bays with flexcell joints.
8. Topsoil shall be seeded in accordance with the Specification.
9. Island design must be approved by the Director.
10. Chevron paving may only be used with the approval of the Director.
11. Gradient dependant on design.
12. Chevron pattern to Diagram 515.2 TSRGD 2002.

Do not scale this drawing

Rev	Date	Description	Checked
A	MAR 11	Various minor amendments	KPT

Drawing No.  
**SD/1100/05A**

Scale NOT TO SCALE Date MAY 04

Department of Environment,  
Culture & Communities



Project

STANDARD DRAWINGS

Title

ROUNABOUT CENTRAL ISLAND  
HARD LANDSCAPING