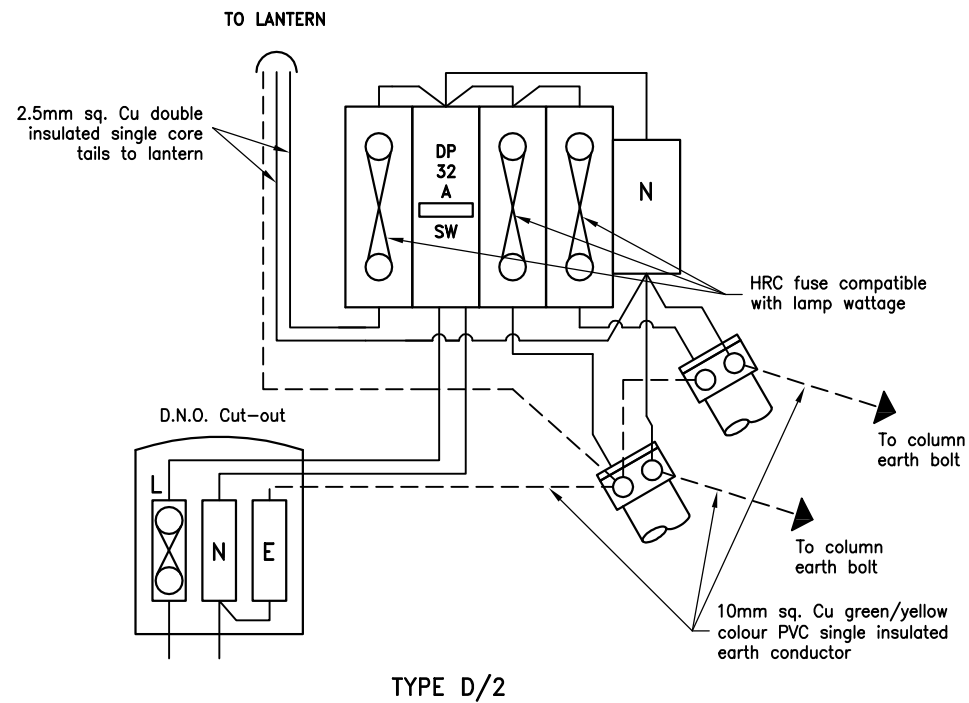
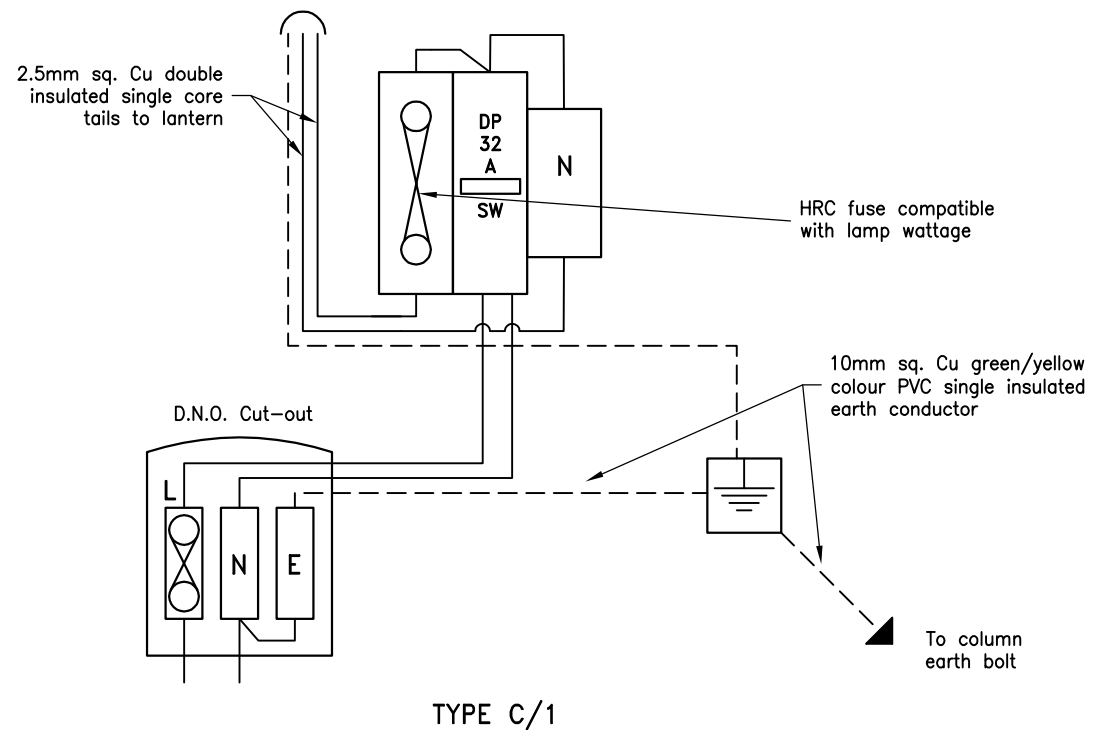
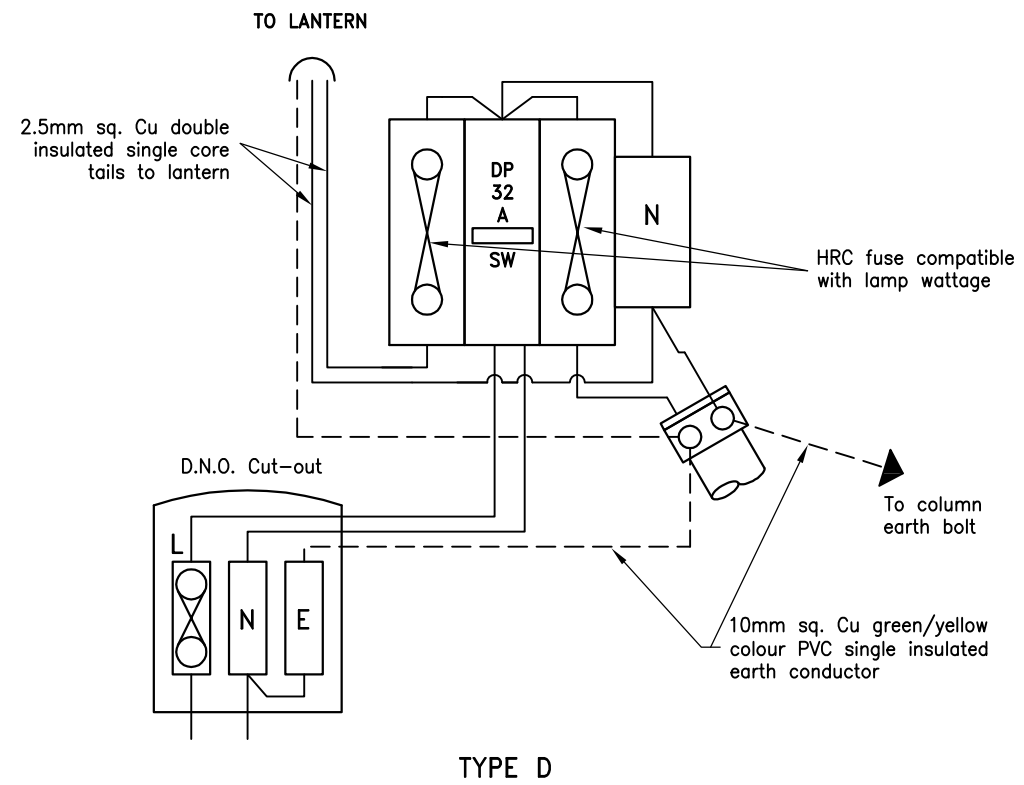
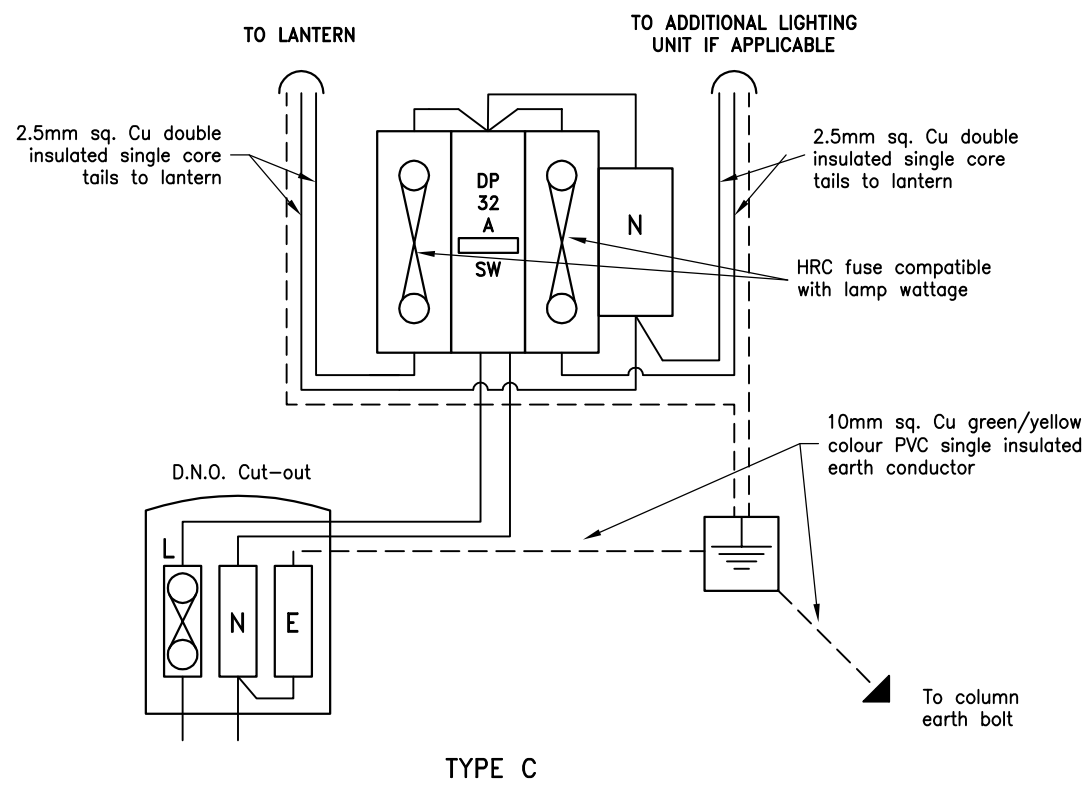


- Notes
1. All electrical equipment must be to the approval of the Director.
 2. Fuse discrimination must be applied.
 3. Size of earth conductor from column earth bolt to door to be 4mm sq. copper 56/0.30 flexible cord PVC insulated colour code green/yellow.
 4. Isolator to be phase identified.
 5. All terminations to be made using crimped lugs.
 6. Outgoing fused cables to be labelled to indicate identification numbers or other items of electrical equipment it supplies.
 7. All electrical equipment with a type D, G or H termination to be labelled with the letter F prefixing the number on the outside of the column.



Do not scale this drawing

A	MAR 11	Minor amendments	KPT	PM
Rev	Date		Checked	



Project
STANDARD DRAWINGS

Title
**TERMINATION TYPES
TYPE C & D**

Drawing No.
SD/1300/05A

Scale NOT TO SCALE Date May 08

Department of Environment,
Culture & Communities