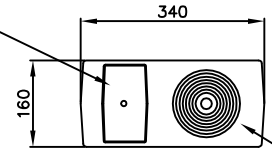


Notes  
1. Socket to be installed in accordance with this drawing and the manufacturers recommendations.

Removable ductile iron locking lid to chamber.



Ductile Iron blanking plug (to plug socket opening when concreting and when signal pole is removed from the socket).

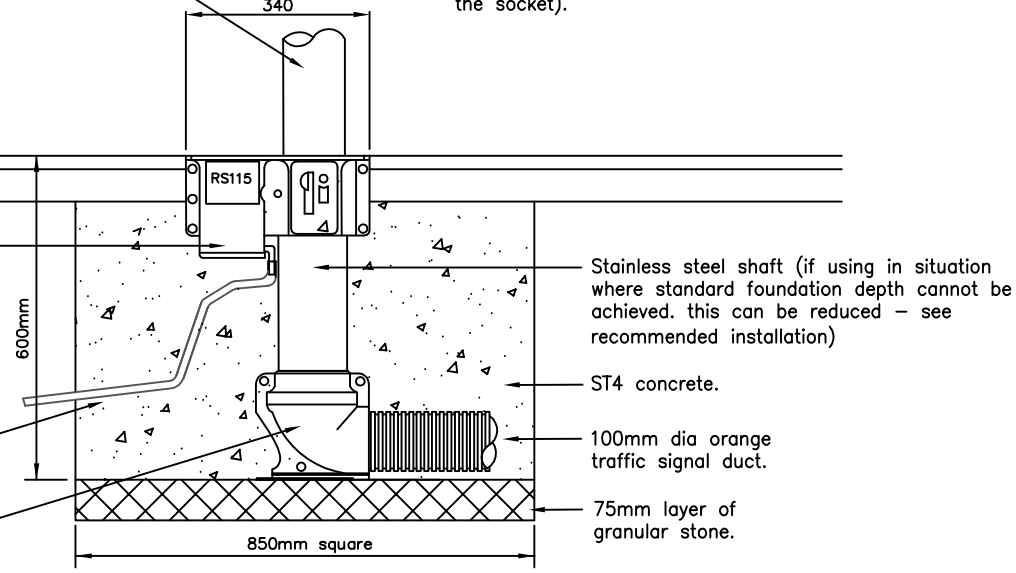
114mm dia traffic signal pole.  
NOTE: A stub pole must be used during installation of the unit to ensure the signal pole is vertical.

Standard footpath construction

Chamber with 2 no. stainless steel securing bolts.

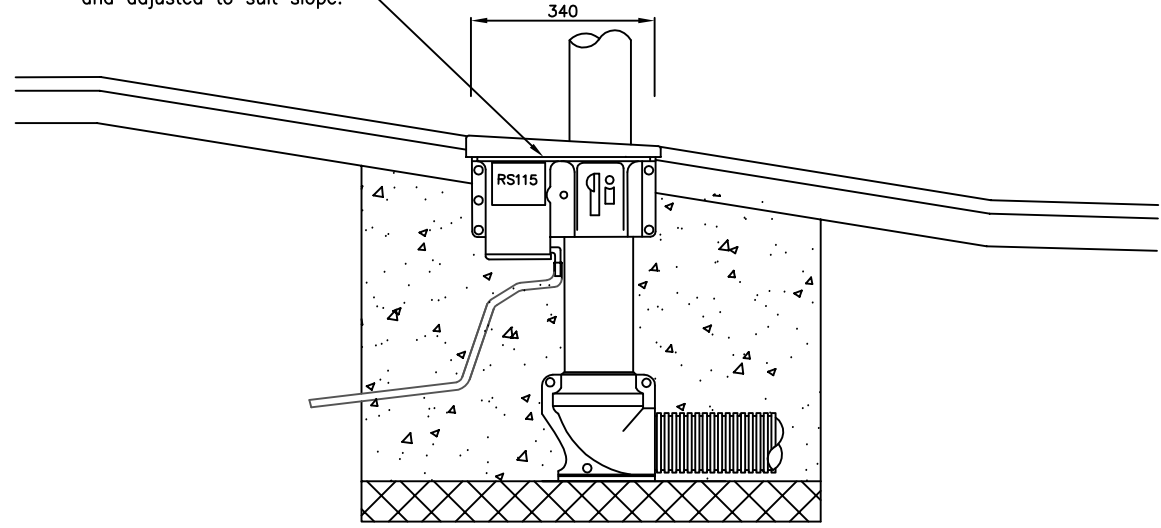
Drainage tube to soakaway.

Duckfoot swivel bend (allows foot to be rotated 360 degrees to suit duct position).

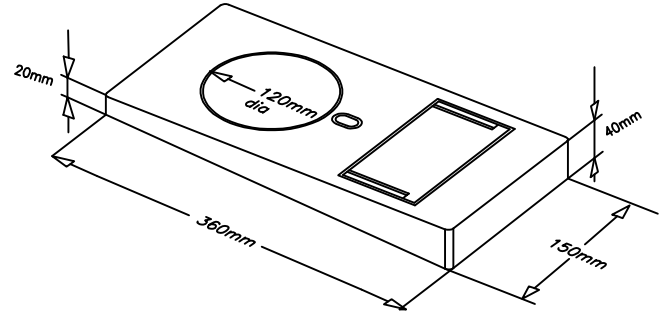


NAL RS115DF RETENTION SOCKET FOR 4M POSTS  
(or similar approved product)

Kerb wedge bolted to socket and adjusted to suit slope.



ALTERNATIVE DETAIL FOR USE ADJACENT TO RAMPED KERBS



KERB WEDGE UNIT

INSTALLATION GUIDELINES

Following excavation compact at least 75mm of granular stone in base of hole.

Connect the traffic signal ducting to the swivel bend on the socket by tightening the two wing bolt fixings.

Leave draw cord in base of socket bend.

Place RS115DF Retaining socket in centre of hole, ensuring that the drainage duct is not pinched or obstructed and that there is at least 200mm clearance on all sides.

Twist the head of the socket to the required orientation / level.

Lay the drainage tube to compacted granular base.

Place the stump pole into the socket (ensuring that it is not obstructed by the two stainless steel bolts).

Tighten the two 16mm stainless steel bolts against the stump pole.

Cast the concrete with the lid locked in position and, once the stump pole is vertical, compact.

Once concrete has been compacted and has begun to cure carefully remove stump pole and lock the circular ductile iron blanking plate into position by tightening the 16mm dia. locking bolts in the locking chamber.

Replace the locking chamber lid and secure in position.

Finish footway surfacing when concrete has cured.

The blanking plate should be stored inside the chamber when the main pole is installed.

Do not scale this drawing

Rev	Date	Checked



Project  
**STANDARD DRAWINGS**

Title  
**TRAFFIC SIGNAL POST SOCKET**

Drawing No.  
**SD/1300/08**

Scale NOT TO SCALE Date MAR 11

Department of Environment,  
Culture & Communities