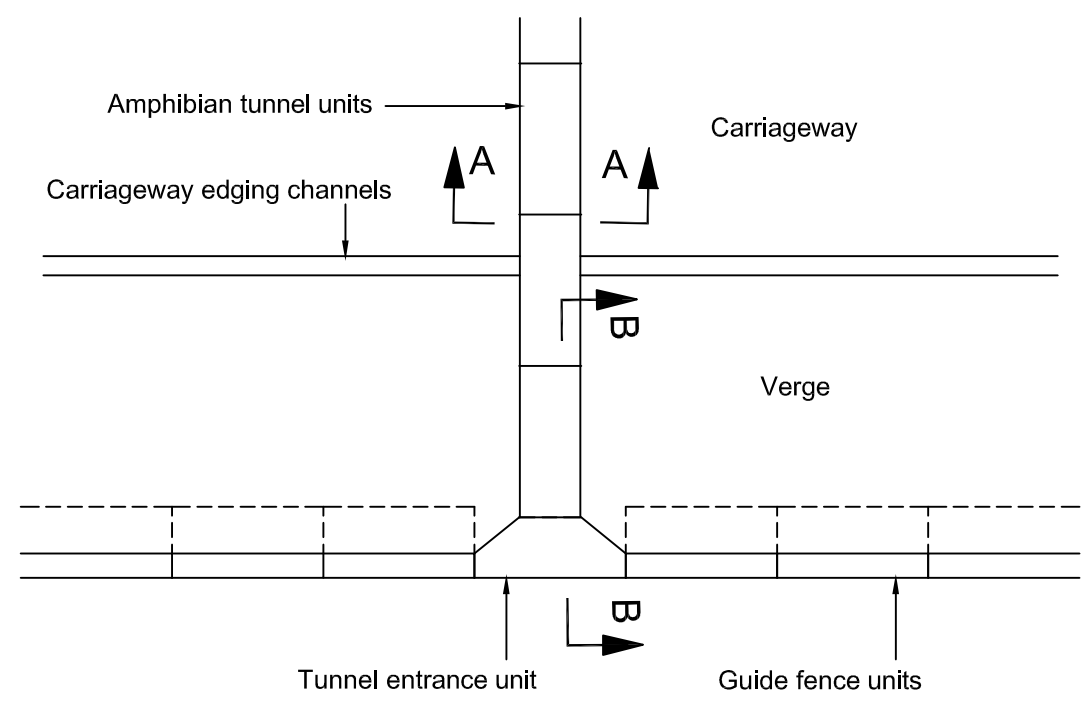
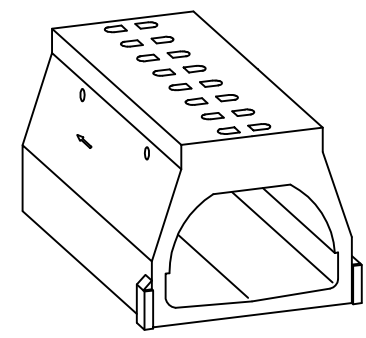


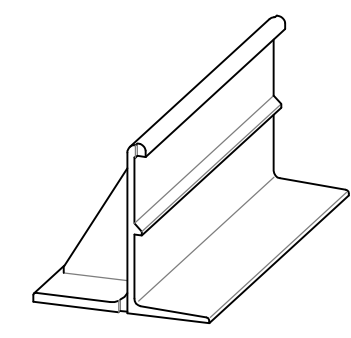
- Notes
1. Wildlife tunnels are to be used in rural areas only in locations agreed with the Borough's Biodiversity Officer.  
For rural areas a piped culvert will usually be sufficient. Designs are to be approved by the Engineer.
  2. Tunnel and fencing units shown are manufactured by ACO Ltd. Similar products by other manufacturers may be used with the approval of the Engineer.



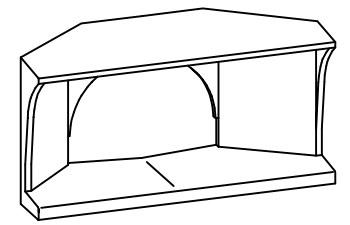
PLAN ON TYPICAL WILDLIFE TUNNEL



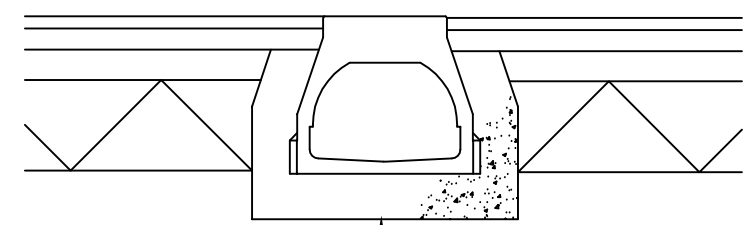
AMPHIBIAN TUNNEL UNIT



GUIDE FENCE UNIT

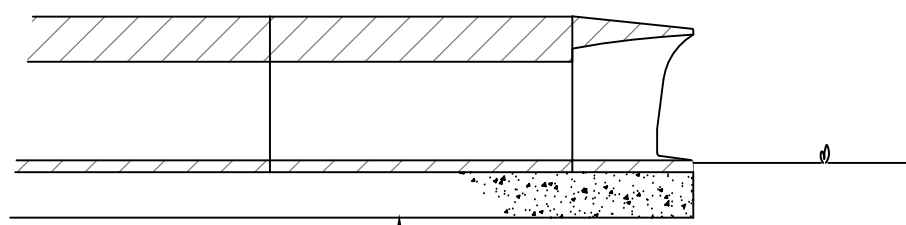


TUNNEL ENTRANCE UNIT



150mm ST4 concrete bed and surround to tunnel units.

SECTION A - A



150mm ST4 concrete bed and surround to tunnel units.

SECTION B - B

Do not scale this drawing

Rev	Date	Checked



Project  
STANDARD DRAWINGS

Title  
WILDLIFE TUNNELS

Drawing No.  
SD/3000/02

Scale 1:20 Date MAR 11

Department of Environment,  
Culture & Communities