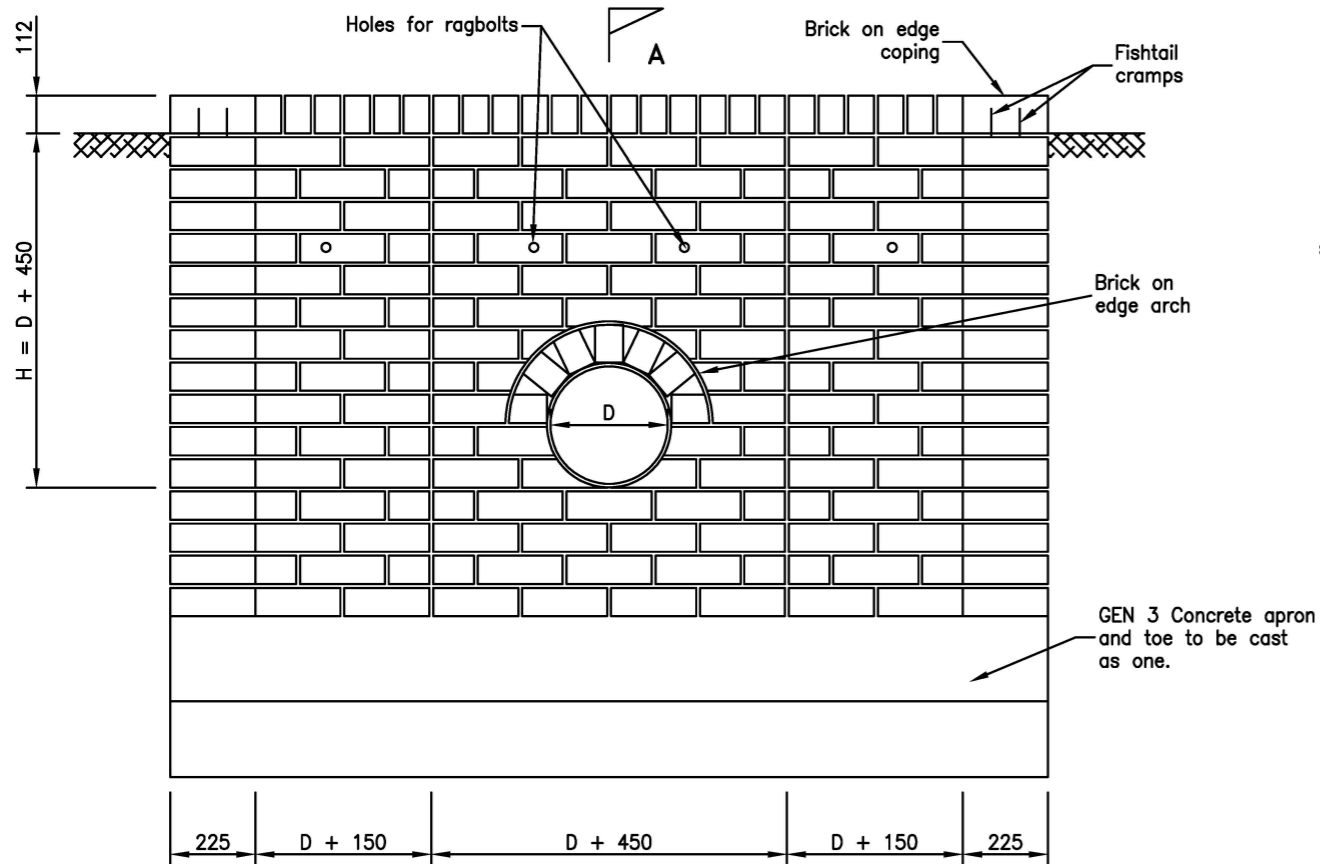


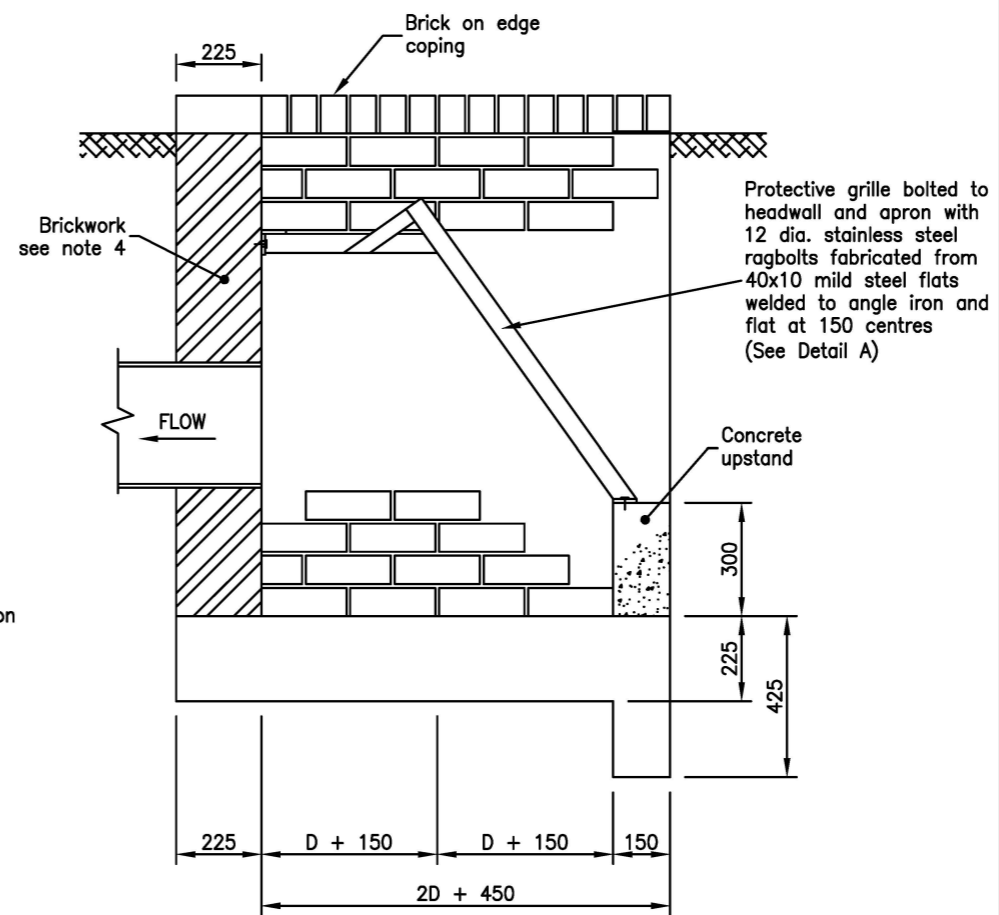
Drawing Number  
**SD/500/10C**

Notes

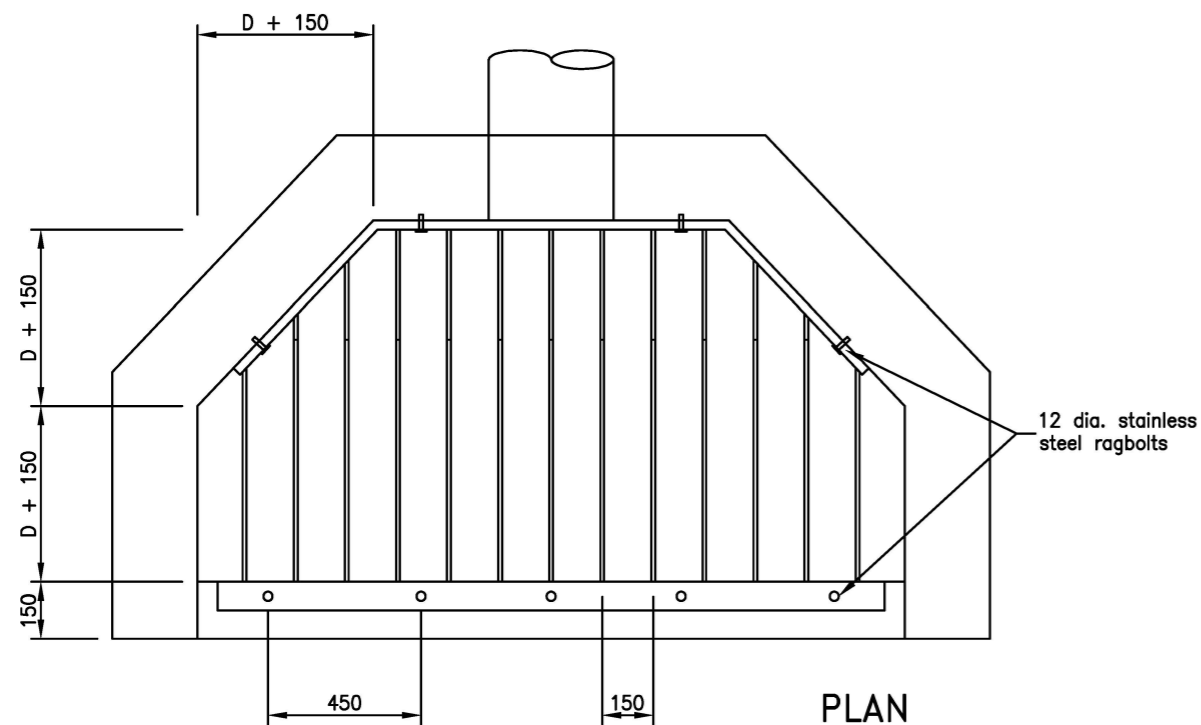
- All dimensions are in millimetres unless shown otherwise.
- Piping of ditches must have the consent of the EA and the landowner.
- Brickwork constructed in bricks to BS EN 771 HD Class B in English Bond flush pointed with mortar to designation (i) SHW Series 2400.
- Brickwork to be:  
225 Thick for  $H < 1.2m$   
337 Thick for  $H > 1.2m$
- Concrete to be grade GEN 3.
- Unformed surfaces to be U2 plain finish.
- Protective grills must be fitted to all pipes over 300 dia.
- Grill assembly to have hot dip galvanised finish to BS EN ISO 1461:1999 after fabrication.
- Purpose made units may be used with the approval of the Engineer.
- Where headwall is adjacent to a footway or cycletrack, a pedestrian guard rail or timber fence is to be provided as determined by the Engineer.



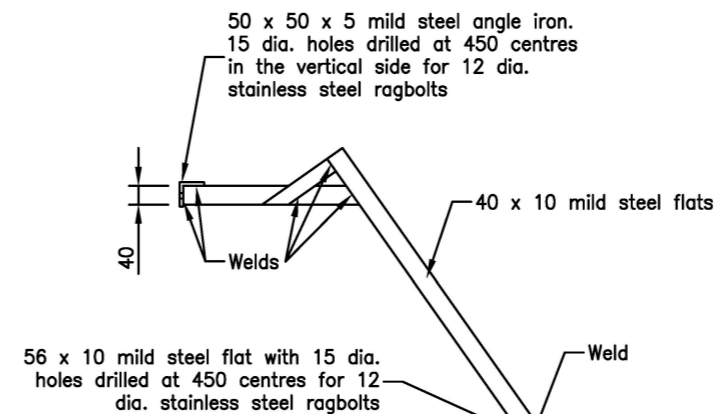
**ELEVATION**  
(Grille omitted for clarity)



**SECTION A-A**



**PLAN**



**DETAIL A**  
**Prefabricated Protective Grill**

Do not scale this drawing

C	APR 19	Updated title block	NR
B	Jun 13	Minor amendments	KPT
A	Mar 11	Amendments to BS/EN standards. Fencing note added.	KPT
Rev	Date		Checked

Project

STANDARD DRAWINGS

Drawing No.

**SD/500/10C**

Title

**HEADWALL TYPE 1**  
**UPSTREAM FROM PIPE – PIPES 225Ø AND OVER**  
**BRICKWORK CONSTRUCTION**

Scale N.T.S

Date MAY 04

**Department of Place,**  
**Planning & Regeneration**

