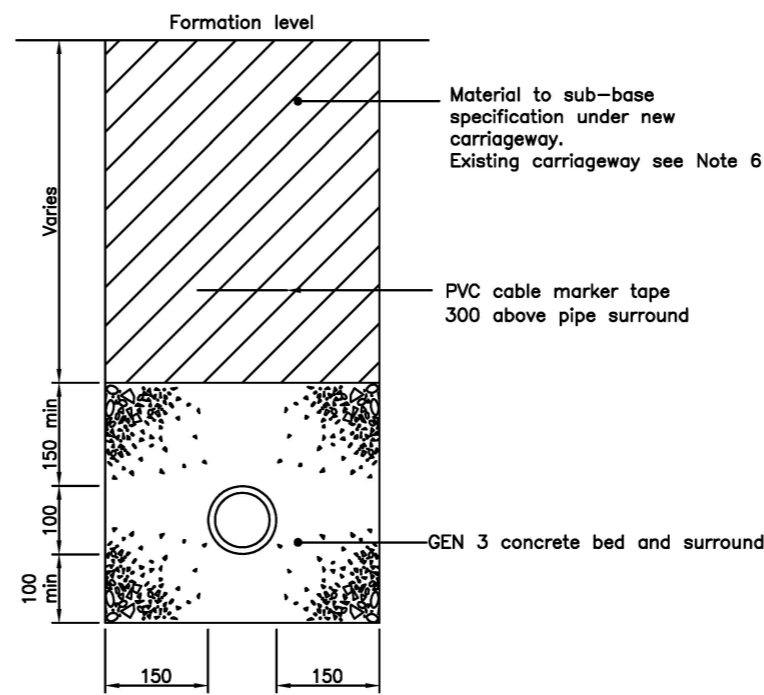
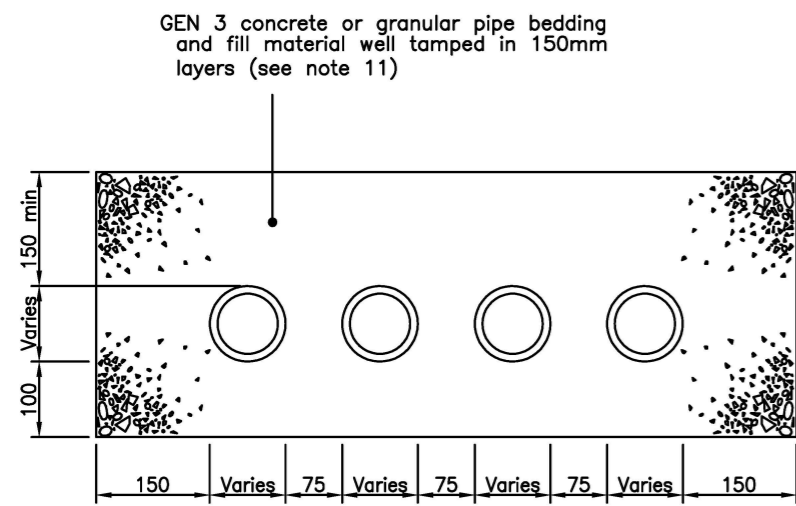


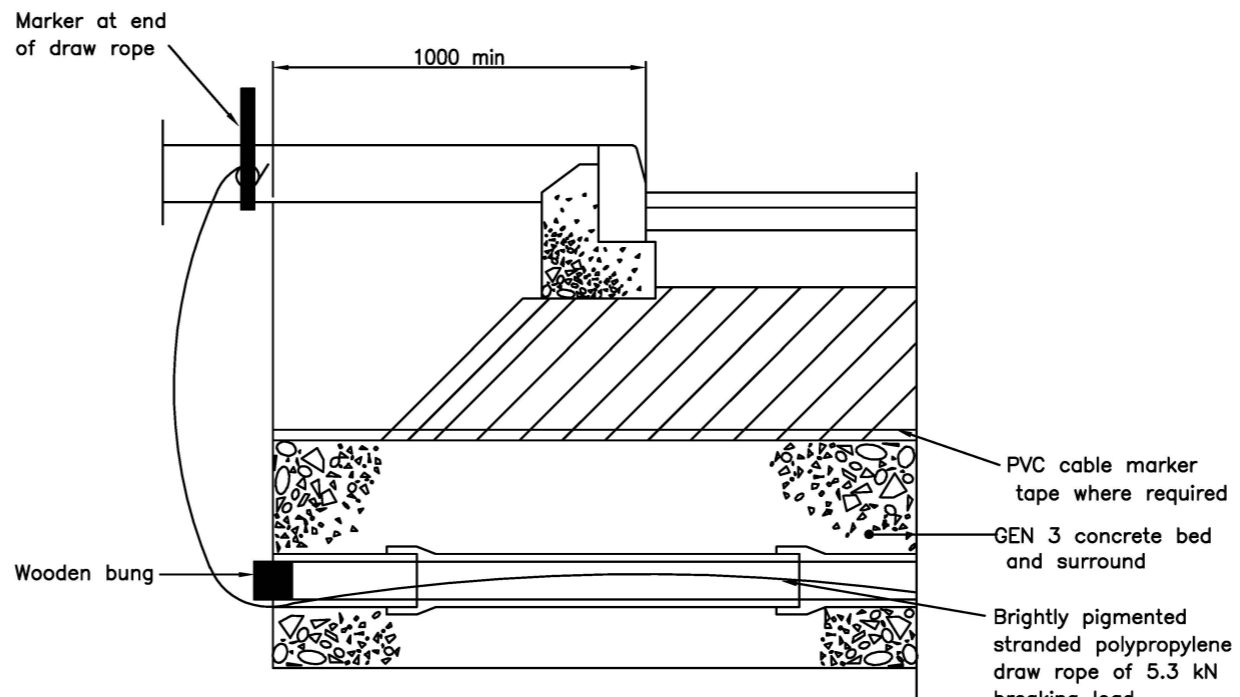
VERGE or FOOTWAY  
More than 600 cover



CARRIAGEWAY  
(and verge or footway where  
depth of cover less than 600)



TYPICAL LAYOUT FOR 2 OR MORE DUCTS



DETAIL AT END OF DUCT  
UNDER CARRIAGEWAY

Drawing Number  
**SD/500/3D**

- Notes
- All dimensions are in millimetres.
  - Pipes shall be :  
PVCU ducts to BS 4660/BS EN 1401 and a British Board of Agreement Certification in accordance with Electricity Board Council ESI 12-24 SDR 41 min.
  - The position of duct routes and the number of ducts in each trench must be shown on the 'As Built' drawings.
  - Ducts under embankments shall extend 1000 beyond the toe of embankment.
  - Internal diameter of all service ducts shall be 100 unless otherwise stated.
  - Existing carriageway shall be reinstated in accordance with HAUC Specification for Reinstatement of Openings in Highways.
  - Section 38 estate roads and footways shall be reinstated with lapped joints and materials to match existing.
  - All street lighting and traffic signal cables must be laid in 100mm dia. (min) uPVC duct. Colours to be:  
DNO supply – BLACK  
HA supply – ORANGE
  - PVC cable marker tape to be used with street lighting and traffic signal cable ducts.
  - Concrete protection required to ducts under carriageway and where depth of cover is less than 600.
  - Concrete protection required to ducts in verge or footway where depth of cover is less than 600.
  - Flexible joints must be provided in reinforced concrete surround.

Do not scale this drawing

Rev	Date		Checked
D	APR 19	Updated title block	NR
C	Jun 13	Concrete grade revised	KPT
B	Feb 13	Duct colours amended	KPT
A	Mar 11	Various BS & EN amendments	KPT



Project  
**STANDARD DRAWINGS**

Title  
**SERVICE DUCTS**

Drawing No.  
**SD/500/3D**

Scale NOT TO SCALE      Date May 04

Department of Place,  
Planning & Regeneration