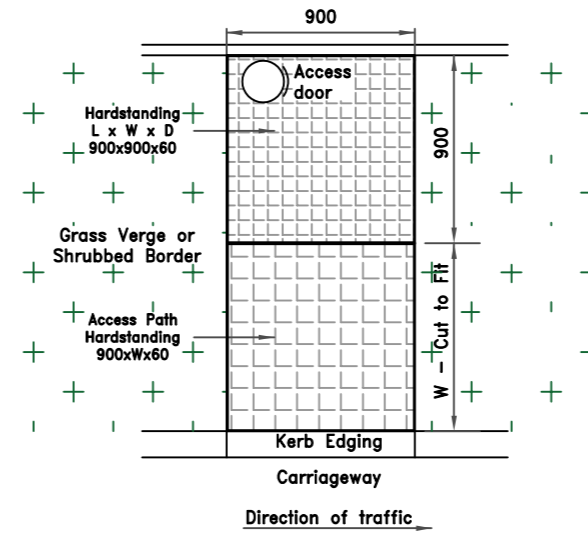
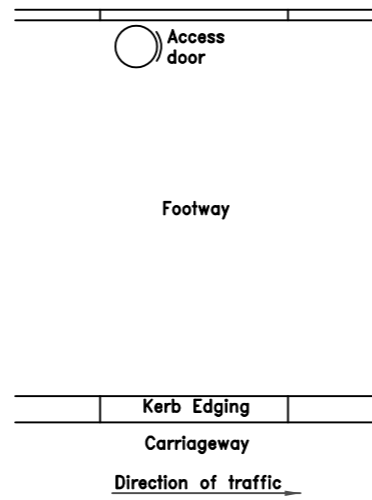
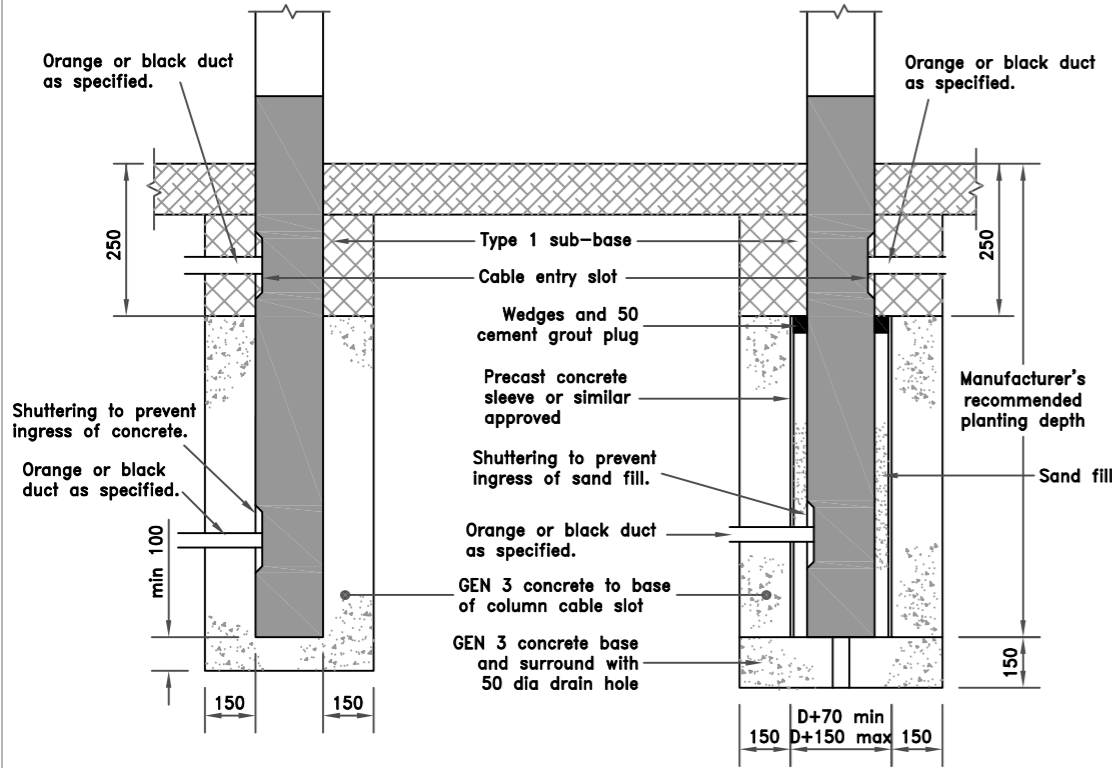


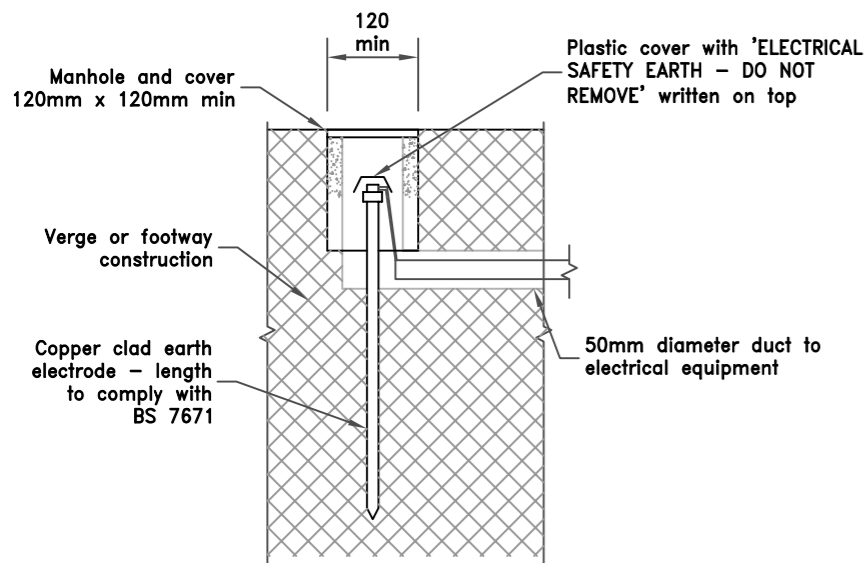
Drawing Number
SD/1300/01B



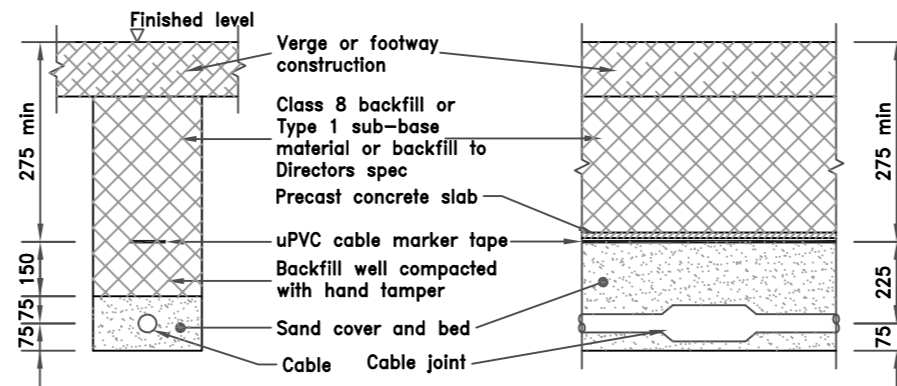
COLUMN LOCATIONS IN FOOTWAYS & GRASS VERGE/SHRUBBED BORDERS

- Notes**
- All dimensions in millimetres.
 - All equipment to be to the specification and/or approval of the Director.
 - All equipment to be sited within the highway boundary.
 - Lighting columns must be sited to suit the design of the system and will normally be erected at the back of footway, cycleway or highway verge. A minimum clearance of 450mm from the face of kerb is required.
 - Signs over 0.3m² must not be fixed to lighting columns unless the column and foundation are designed to take the wind load.
 - All columns to be galvanised to BS5649 unless specified by the Director.
 - When specified by the Director, Galvanised columns to be painted shall receive a coat of etching primer prior to painting.
 - Columns to be painted to 250 above GL with black bitumastic paint.
 - Special foundations are required for certain types of columns and the Engineer should be consulted for details.
 - All columns shall be planted so the door is safely accessible (see location detail).
 - Backfill to excavations in unpaved areas must be Type 1 sub-base material.
 - A hardstanding of concrete paving slabs or footway construction is required in front of feeder pillar doors in verges. All columns in the verge must have a column kneeling pad.
 - All street lighting cables must be laid in 100 dia. (min.) uPVC duct. See SD/500/3B for cable duct details. Colours to be:
DNO supply – BLACK
HA supply – ORANGE
 - An earth electrode must be fitted on the last column of each run.
 - Earth rods to comply with IEE regulations. Min length 1500.
 - All columns must be identified by a unique number stencilled in black paint or appropriate weatherproof vandal proof adhesive labels. The numbers will be provided by the Director.
 - Sleeved column foundation to be used only when specified by the Director.

COLUMN FOUNDATION DETAILS



**Detail A
EARTH ELECTRODE DETAIL**



**TYPICAL SECTIONS
CABLE TRENCH
(See Note 13)**

Do not scale this drawing

B	Aug 21	Updated Hardstanding SD	OF
A	APR 19	Updated title block	NR
Rev	Date		Checked



Project
STANDARD DRAWINGS

Title
**STREET LIGHTING
COLUMN FOUNDATION DETAILS
Cabling and Jointing**

Drawing No.
SD/1300/01B

Scale NOT TO SCALE Date Jun 13

**Department of Place,
Planning & Regeneration**