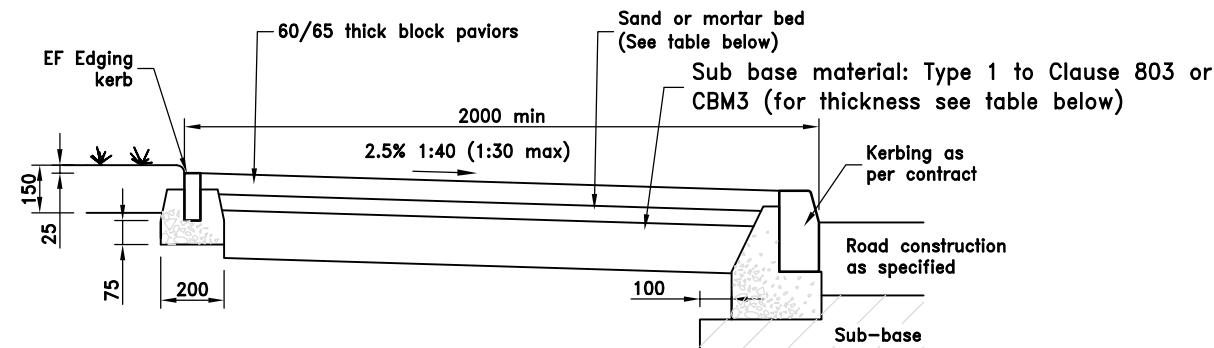


Drawing Number
SD/1100/04A

- Notes
- All dimensions are in millimetres.
 - This drawing shall be read in conjunction with SD/1100/1A, 2A, 3A.
 - Block paving shall comply with BS EN 1338.
 - Clay paviors are not permitted.
 - 60 or 65 thick blocks shall only be used in area not subjected to vehicular traffic elsewhere the blocks shall be 80 thick.
 - Block paviors shall be laid in square herringbone pattern for footways and 45° herringbone pattern in areas subjected to vehicular traffic.
 - The blocks shall be laid in accordance with the recommendations in BS 7533.
 - Sharp sand bedding shall comply with BS EN 12620 grading C or M.
 - In areas where the blocks may be trafficked they shall be bedded on mortar to designation (ii) or (iii) laid on CMB3 concrete.
 - All mortar pointing shall be colour matched to the blocks or flags.
 - Mortar pigments shall comply with BS EN 12878.
 - Sanded joints shall be sealed down with a stabilising compound.
 - Crossing kerbs shall be flush with the carriageway where tactile blocks are used. Maximum tolerance +6.
 - Care must be taken to ensure adequate drainage when the crossing kerb is flush with the carriageway.
 - Sub-base to have an additional 150 Type 1 material if footway or cycleway is on embankment or alongside a ditch.



**FOOTWAY – BLOCK PAVING
Typical Section**

CONSTRUCTION TYPE	CONSTRUCTION THICKNESS (see Notes 5 & 15)		
	Blocks	Sand Bed	Type 1 Sub-base
TYPE 5	60	50	150 (CBR 2% or greater) 300 (CBR below 2%)
TYPE 6	65	50	150 (CBR 2% or greater) 300 (CBR below 2%)
	Blocks	Mortar	CBM3
TYPE 7	60	10–20	100 (CBR 2% or greater)*
TYPE 8	65	10–20	100 (CBR 2% or greater)*

* An additional 150 Type 1 is to be added for CBR values below 2%

Do not scale this drawing

Rev	Date	Checked
A	MAR 11	KPT
Various minor amendments		



Project
STANDARD DRAWINGS

Title
**FOOTWAYS AND CYCLETRACKS
CONCRETE BLOCK PAVIORS**

Drawing No.
SD/1100/04A

Scale **NOT TO SCALE** Date **MAY 04**
Department of Environment,
Culture & Communities