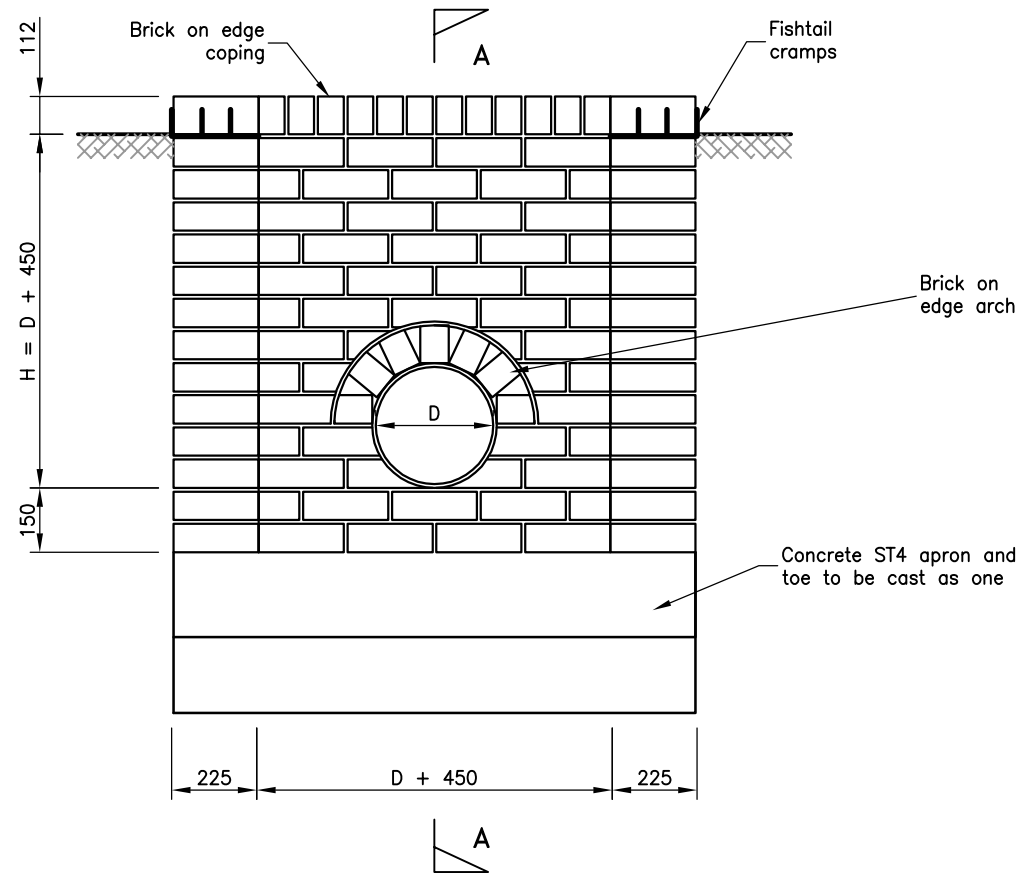
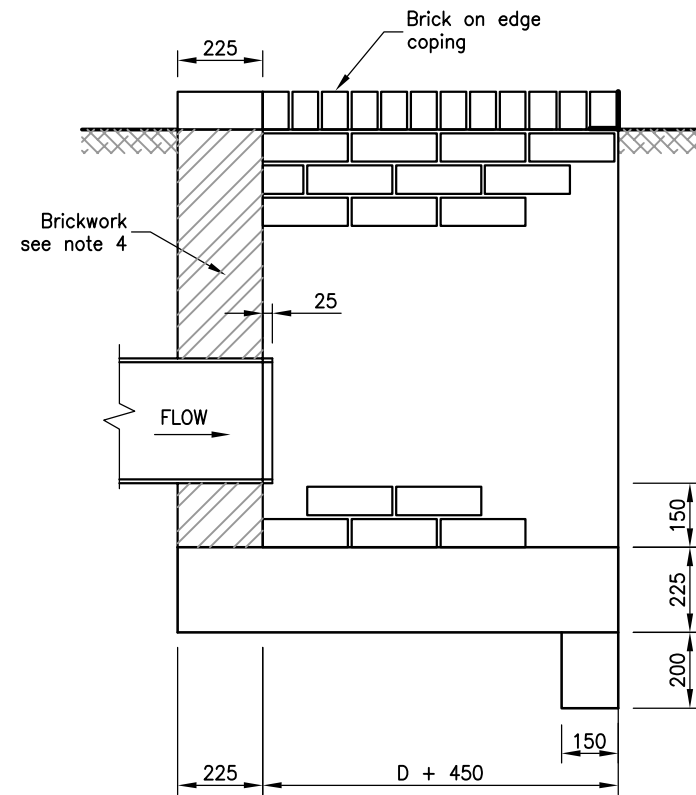


Drawing Number  
**SD/500/11A**

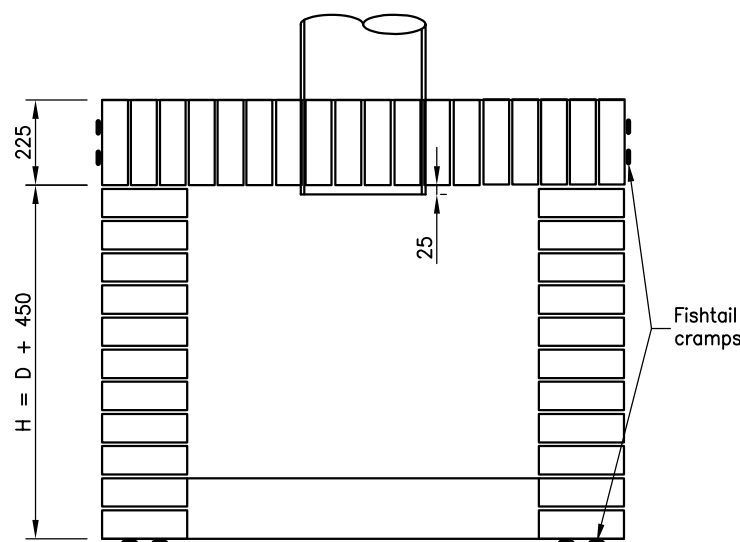
- Notes
- All dimensions are in millimetres unless shown otherwise.
  - Piping of ditches must have the consent of the EA and the landowner.
  - Brickwork constructed in bricks to BS EN 771 HD Class B in English Bond flush pointed with mortar to designation (i) SHW Series 2400.
  - Brickwork to be:  
225 Thick for  $H < 1.2m$   
337 Thick for  $H > 1.2m$
  - Concrete to be grade ST4.
  - Unformed surfaces to be U2 plain finish.
  - Protective grills to be fitted as shown to all pipes over 300 dia.
  - Grill assembly to have hot dip galvanised finish to BS EN ISO 1461:1999 after fabrication.
  - Where headwall is adjacent to a footway or cycletrack, a pedestrian guard rail or timber fence is to be provided as determined by the Engineer.



**ELEVATION**  
(Grill omitted for clarity)

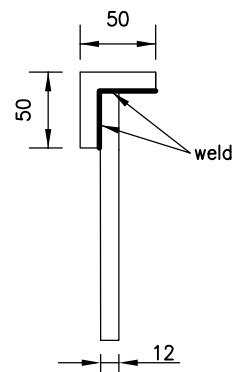


**SECTION A-A**



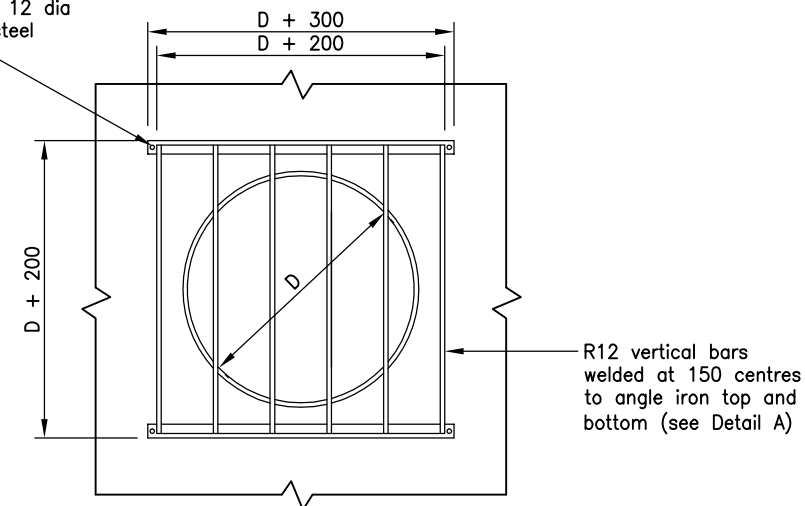
**PLAN**

50 x 50 x 5 mild steel angle iron. 15 dia hole drilled at each end in vertical side



**DETAIL A**  
(bottom grille similar)

Protective grille fixed to headwall with 4 No 12 dia stainless steel ragbolts



**PROTECTIVE GRILLE**  
(See Notes 7 & 8)

Do not scale this drawing

Rev	Date	Description	Checked
A	Mar 11	Amendments to BS/EN standards. Fencing note added.	KPT

Project

**STANDARD DRAWINGS**

Drawing No.

**SD/500/11A**

Title

**HEADWALL TYPE 2  
DOWNSTREAM OF PIPE – PIPES 825Ø AND OVER  
BRICKWORK CONSTRUCTION**

Scale

N.T.S

Date

MAY 04

Department of Environment,  
Culture & Communities

