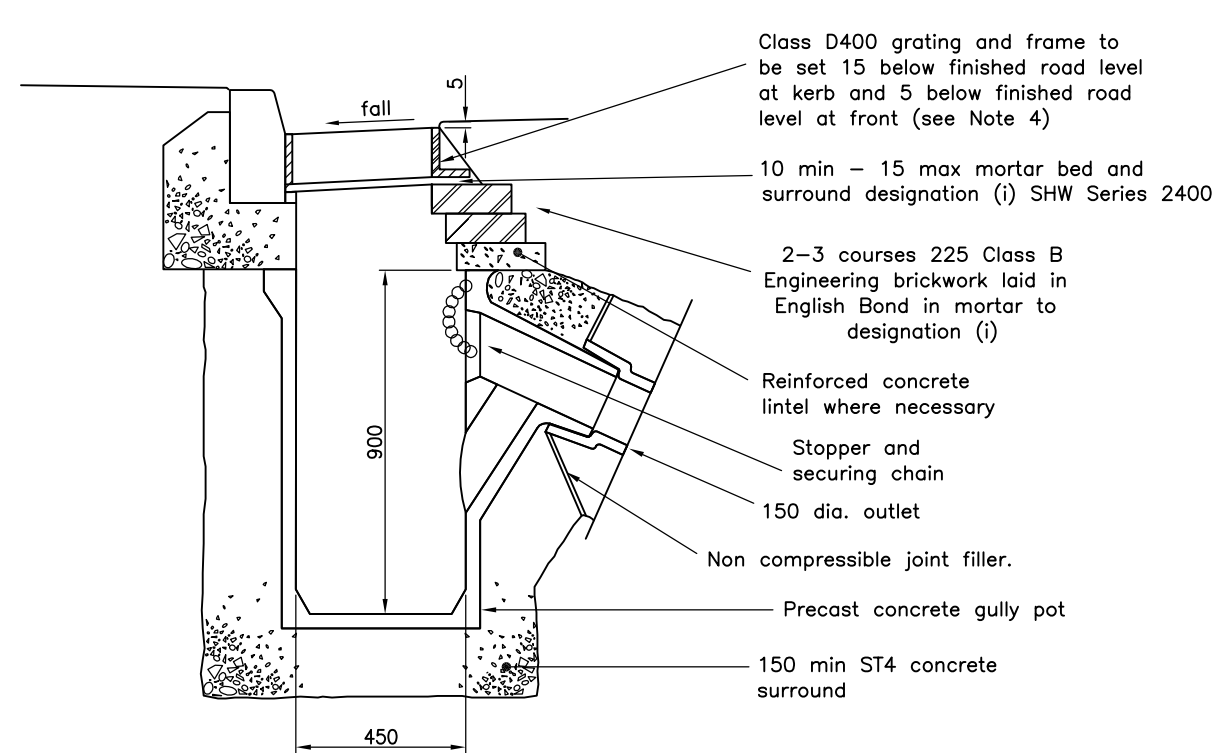


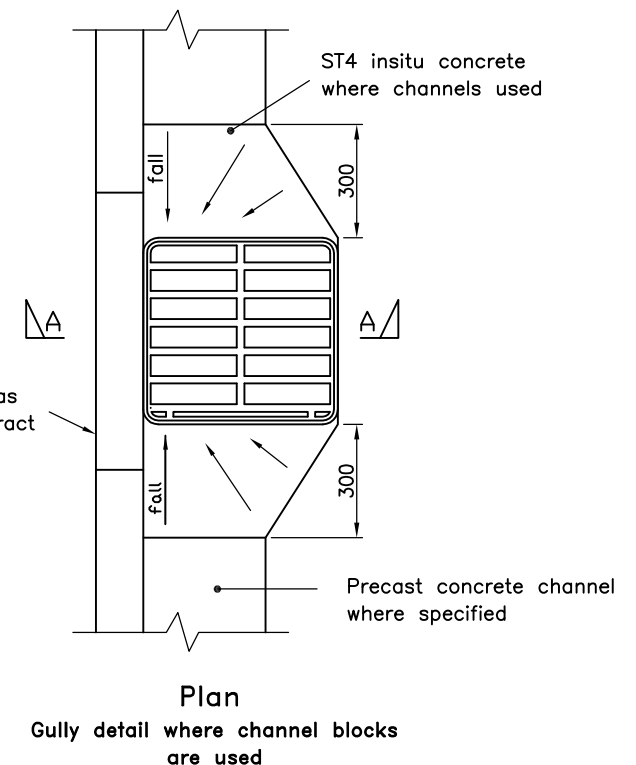
- Notes
- All dimensions are in millimetres
 - Gully pots shall normally be:
Concrete to BS 5911-6
Vitrified clay to BS 65 and BS EN 295
PVCU structural wall pipe to MCHW Clause 518
Pots shall be:
450 dia. x 900 deep in carriageways
375 dia. x 750 deep in footways
Concrete to accord with:
BS EN 206-1
BS 8500-1 & 2
BS 8000
Gratings and frames to be to BS EN124 1994.
Ref. Class D400 Trafficked areas.
Ref. Class C250 footways only.
 - Brick gullies may only be used with the approval of the Director where space is limited.
 - Large gratings may only be used with the approval of the Director.
Dished gratings permissible in footways only.
'Pedestrian Friendly' gratings to be used in areas used by pedestrians.
 - All gratings to be Kite Marked and coated with a protective coating in accordance with BS EN 124: 1994.
 - Hinged captive gratings must be used. End hinged gratings must be set with hinge towards approaching traffic. Slots in gratings shall not be parallel to the direction of the traffic.
 - Bricks to be to BS 5911-6 HD Class B.
 - A maximum of 25mm overhang permitted on each course of brick corbelling.
 - Reinforced concrete gully cover slabs to BS 5911-6 or reinforced concrete lintels must be used where brick corbelling gives insufficient to support frame.
 - Connections to carrier drains to be by means of 'Y' junctions.
 - Finish to internal concrete to be F1 on formed surfaces and U2 on unformed surfaces.
 - Polyester, epoxy or ultra-rapid hardening cementitious mortar systems shall be used in making up and bedding ironwork in carriageways to be opened to traffic within 2 days.
 - Each gully must have a separate connection to the carrier drain or chamber.
 - Double gullies to be used at all low points.
 - Gullies to be spaced to DMRB Vol.4 Section 2 Pt.3

Do not scale this drawing

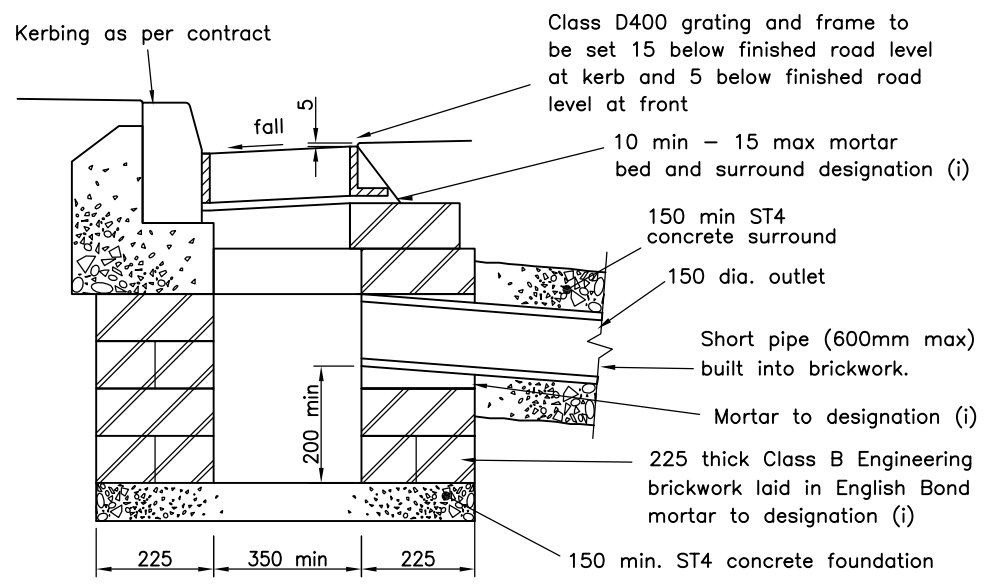
B	Mar 11	Addition of non-compressible joint filler	KJW
A	JAN 08	Various minor amendments & addition of plastic gully	KPT
Rev	Date		Checked



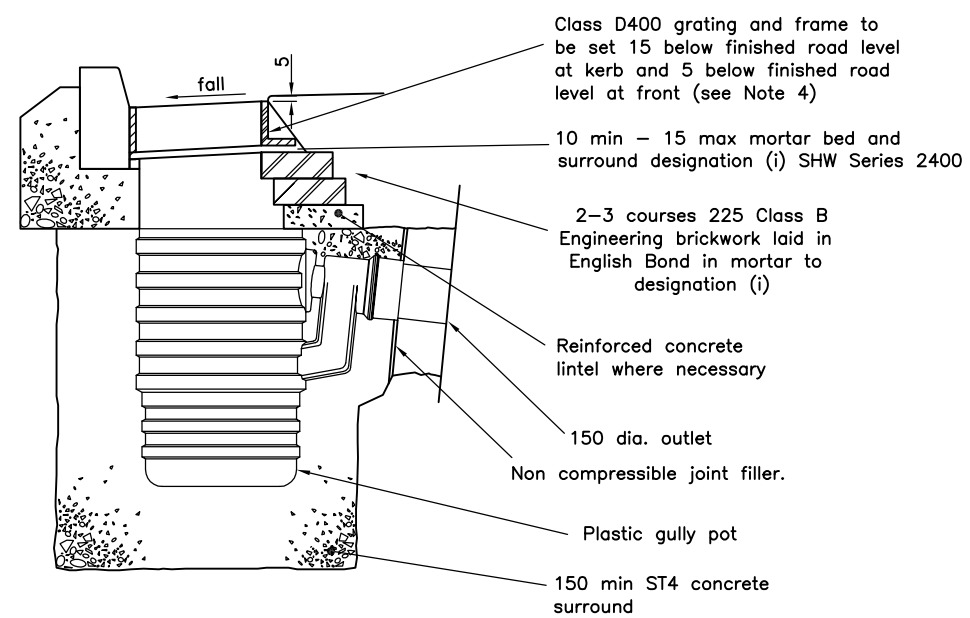
Section A-A
PREFORMED TRAPPED GULLY POT
TYPE 1 - 450 dia x 900 deep
TYPE 2 - 375 dia x 750 deep
(See Note 2)



Plan
Gully detail where channel blocks are used



BRICK GULLY
TYPE 3 (see Note 3)
Shown with carriageway grating



PREFORMED TRAPPED GULLY POT
TYPE 1 - 450 dia x 900 deep
TYPE 2 - 375 dia x 750 deep
(See Note 2)



Project	STANDARD DRAWINGS		Drawing No. SD/500/4B
Title	ROAD AND FOOTPATH GULLY DETAILS		Scale NOT TO SCALE Date May 04
			Department of Environment, Culture & Communities