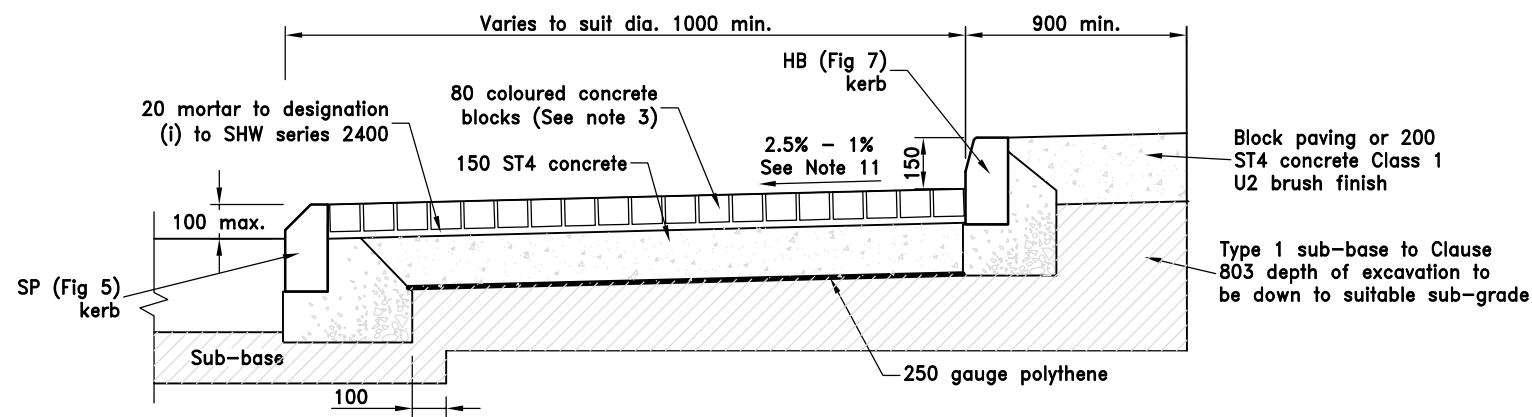
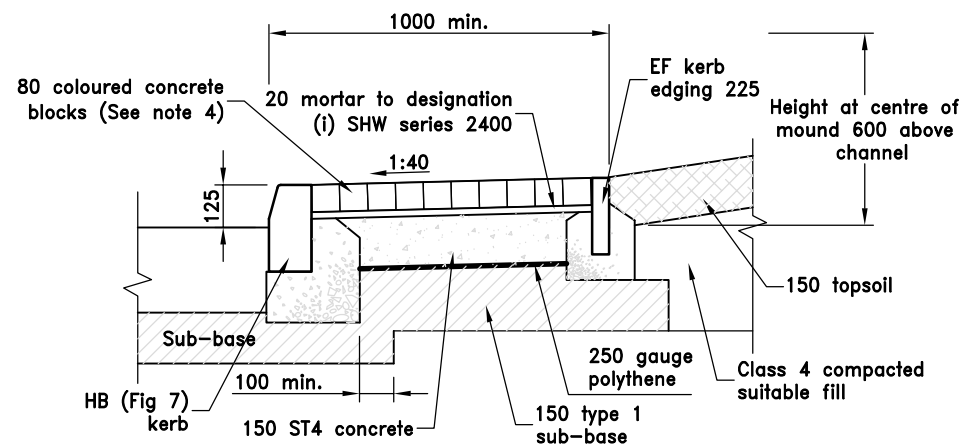


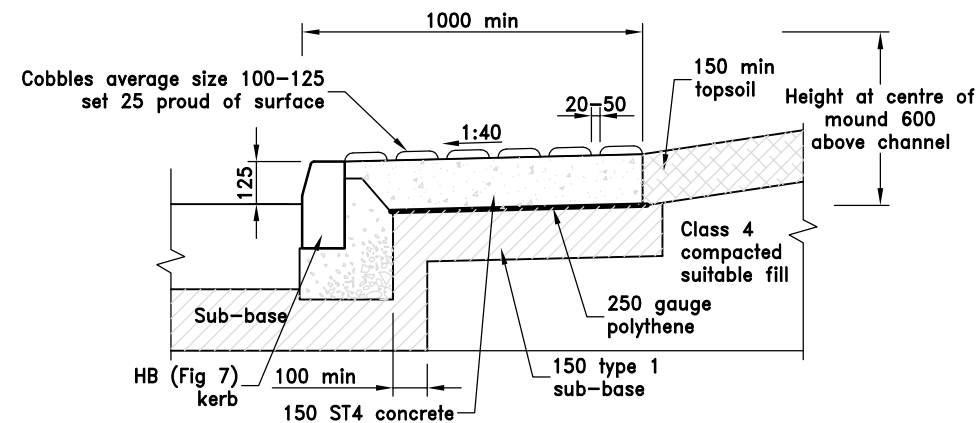
- Notes
1. All dimensions are in millimetres
 2. This drawing shall be read in conjunction with Drg. No. SD/1100/1A.
 3. All concrete blocks must comply with BS EN 1338.
 4. The colour of concrete blocks must be approved by the Director. Red preferred for edge strips.
 5. Block paving to be laid in stretcher bond to BS 7533.
 6. Width of paved edge strip may be increased to suit other design considerations.
 7. Concrete pavements to be constructed in 5000 bays with flexcell joints.
 8. Topsoil shall be seeded in accordance with the Specification.
 9. Island design must be approved by the Director.
 10. Chevron paving may only be used with the approval of the Director.
 11. Gradient dependant on design.
 12. Chevron pattern to Diagram 515.2 TSRGD 2002.



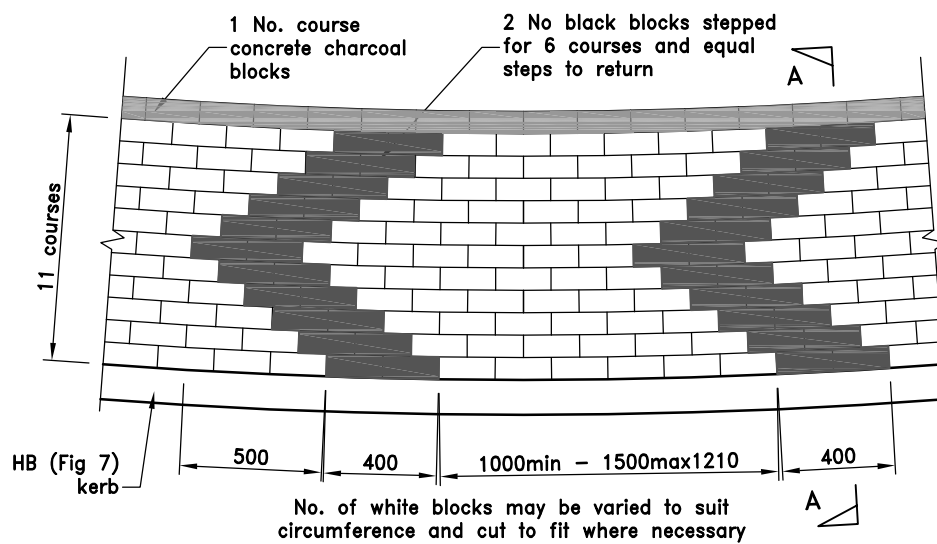
OVER-RUNNABLE STRIP FOR ISLANDS IN SMALL ROUNDABOUTS – Type 10



BLOCK PAVED EDGE STRIP – Type 10

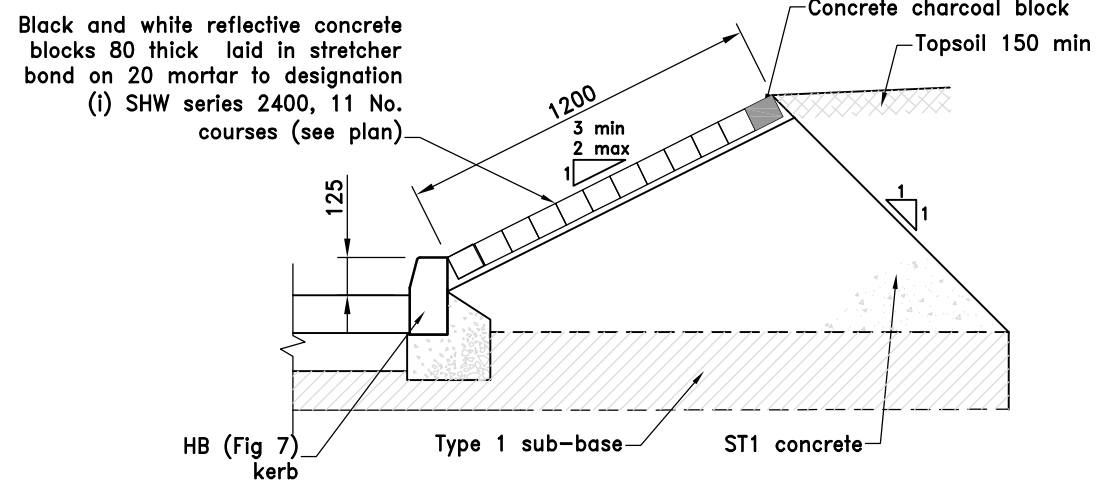


COBBLED EDGE STRIP – Type 11



PLAN

CHEVRON PAVING DETAIL – Type 12
See Note 12



SECTION A-A

Do not scale this drawing

Rev	Date	Description	Checked
A	MAR 11	Various minor amendments	KPT



Project

Title

STANDARD DRAWINGS

ROUNDBABOUT CENTRAL ISLAND
HARD LANDSCAPING

Drawing No.

SD/1100/05A

Scale NOT TO SCALE

Date MAY 04

Department of Environment,
Culture & Communities