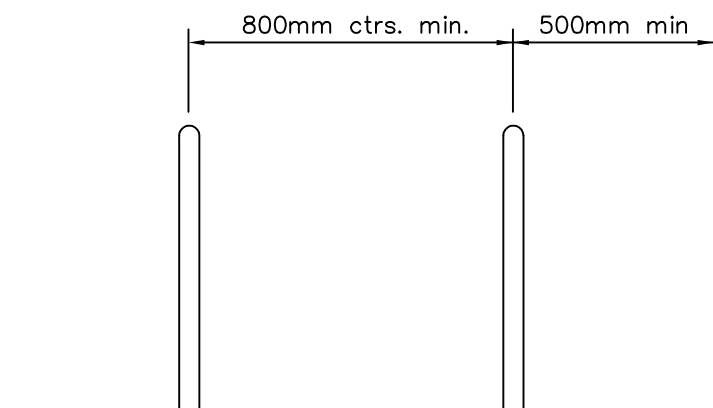
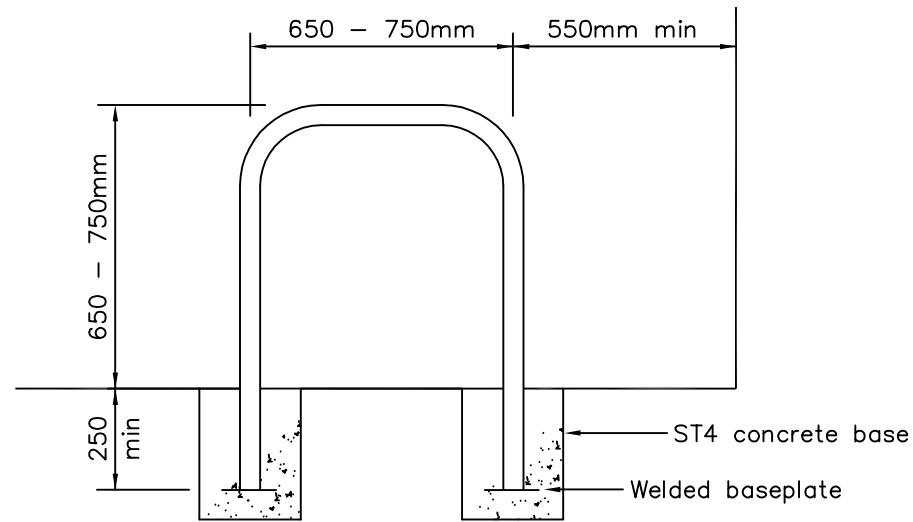


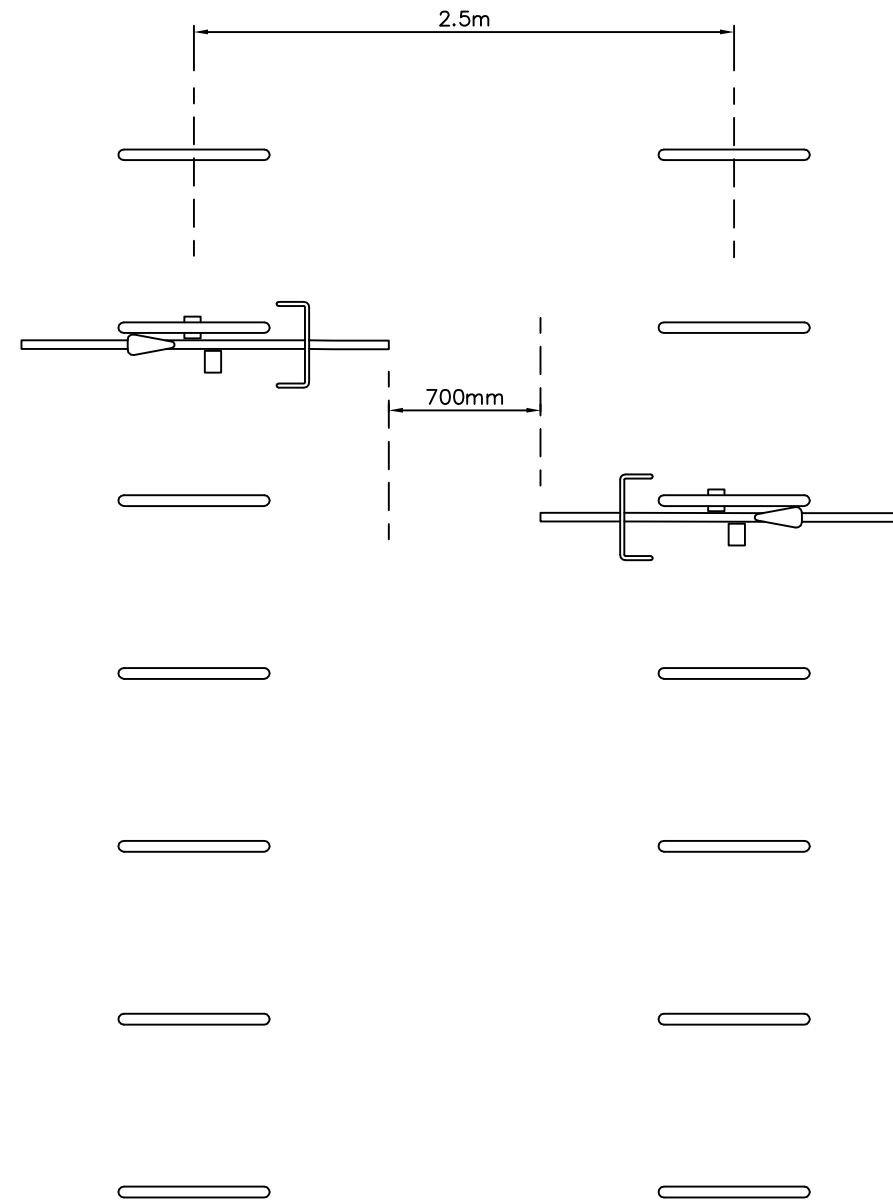
Drawing Number  
SD/1200/05

Notes

1. Cycle parking should be located as close to destinations as possible without interfering with pedestrian traffic and where visual supervision, lighting and shelter from inclement weather can be achieved.
2. Preferred finish for cycle stands are stainless steel, galvanised or ferrocast.



ELEVATIONS



LAYOUT SHOWING MINIMUM SPACING

Do not scale this drawing

Rev	Date	Checked



Project  
STANDARD DRAWINGS

Title  
SHEFFIELD CYCLE STANDS

Drawing No.  
SD/1200/05

Scale NOT TO SCALE Date MAR 11

Department of Environment,  
Culture & Communities