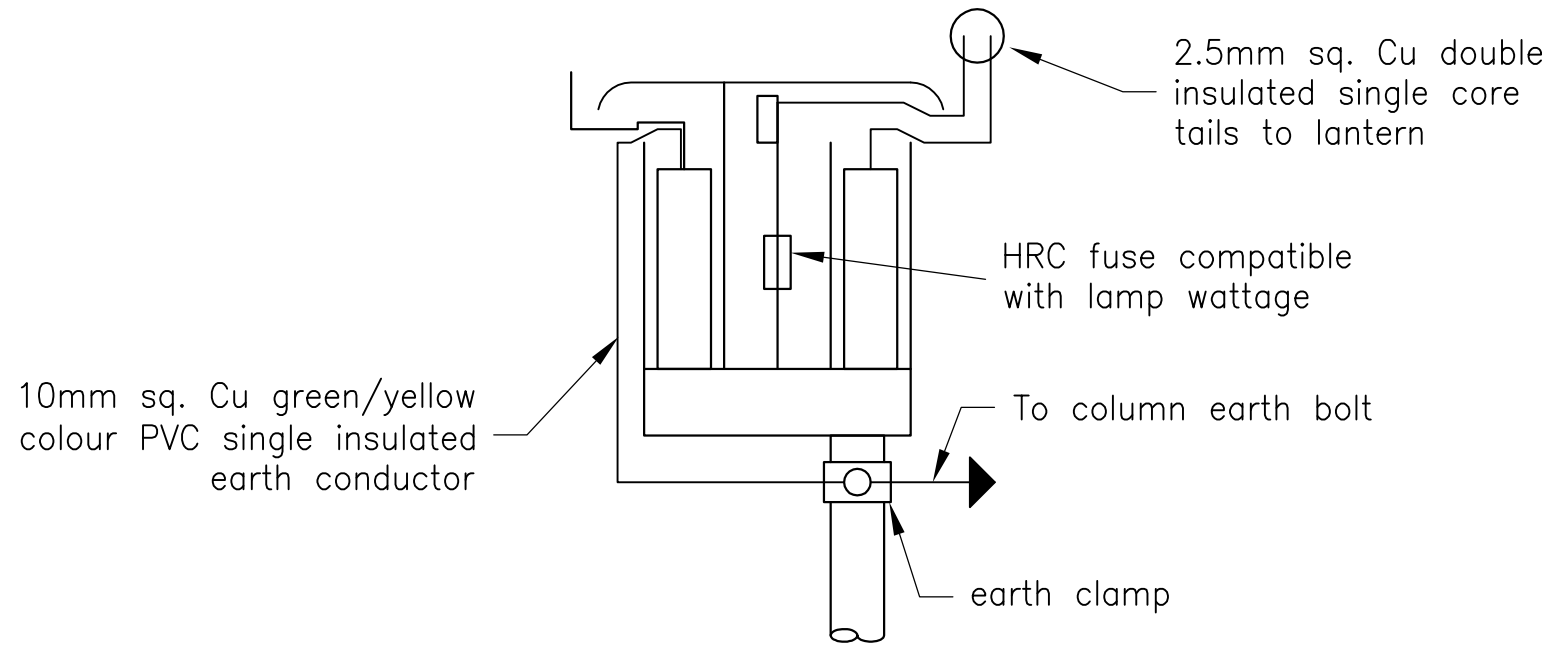
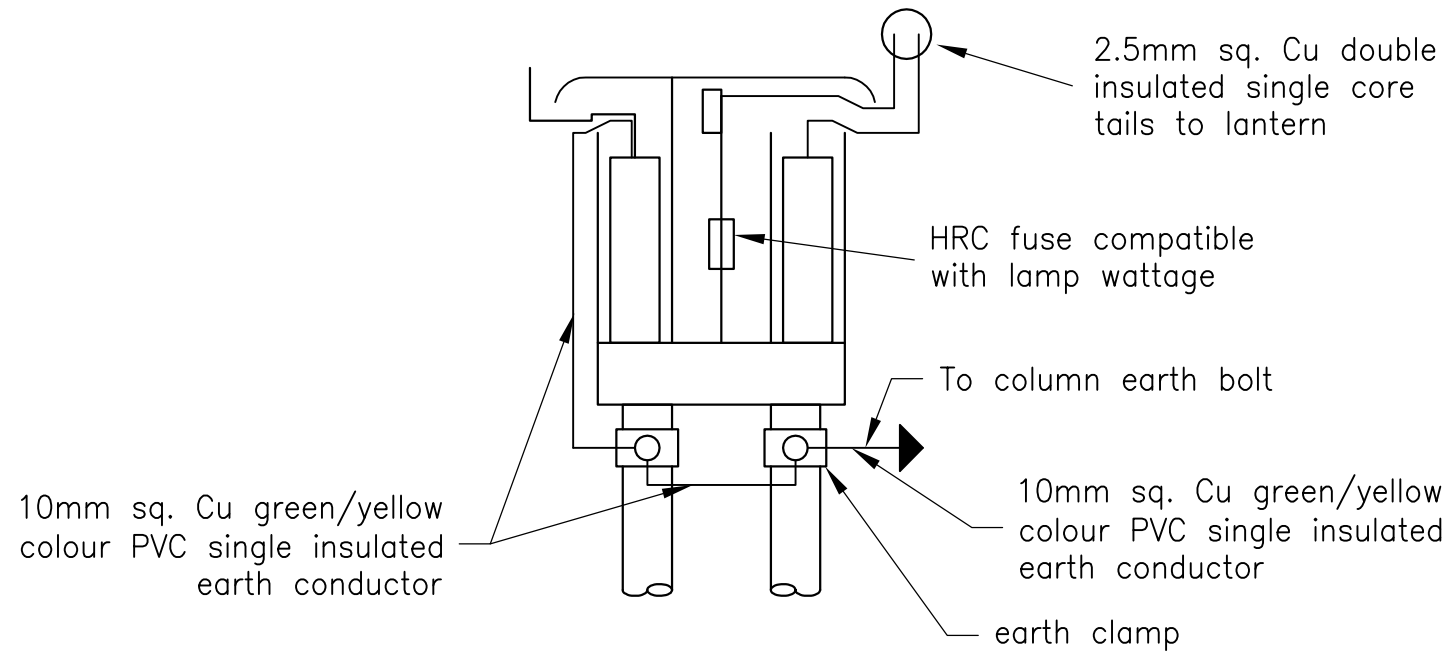


- Notes
1. All electrical equipment must be to the approval of the Director.
 2. Fuse discrimination must be applied.
 3. Size of earth conductor from column earth bolt to door to be 4mm sq. copper 56/0.30 flexible cord PVC insulated colour code green/yellow.
 4. Isolator to be phase identified.
 5. All terminations to be made using crimped lugs.
 6. Outgoing fused cables to be labelled to indicate identification numbers or other items of electrical equipment it supplies.
 7. All electrical equipment with a type D, G or H termination to be labelled with the letter F prefixing the number on the outside of the column.



TYPE A



TYPE B

Do not scale this drawing

Rev	Date	Description	Checked
A	Mar 11	Removal of termination types C & D	KPT PM



Project	STANDARD DRAWINGS
Title	TERMINATION TYPES TYPE A & B

Drawing No.	SD/1300/04A
Scale	NOT TO SCALE
Date	Nov 05
Department of Environment, Culture & Communities	