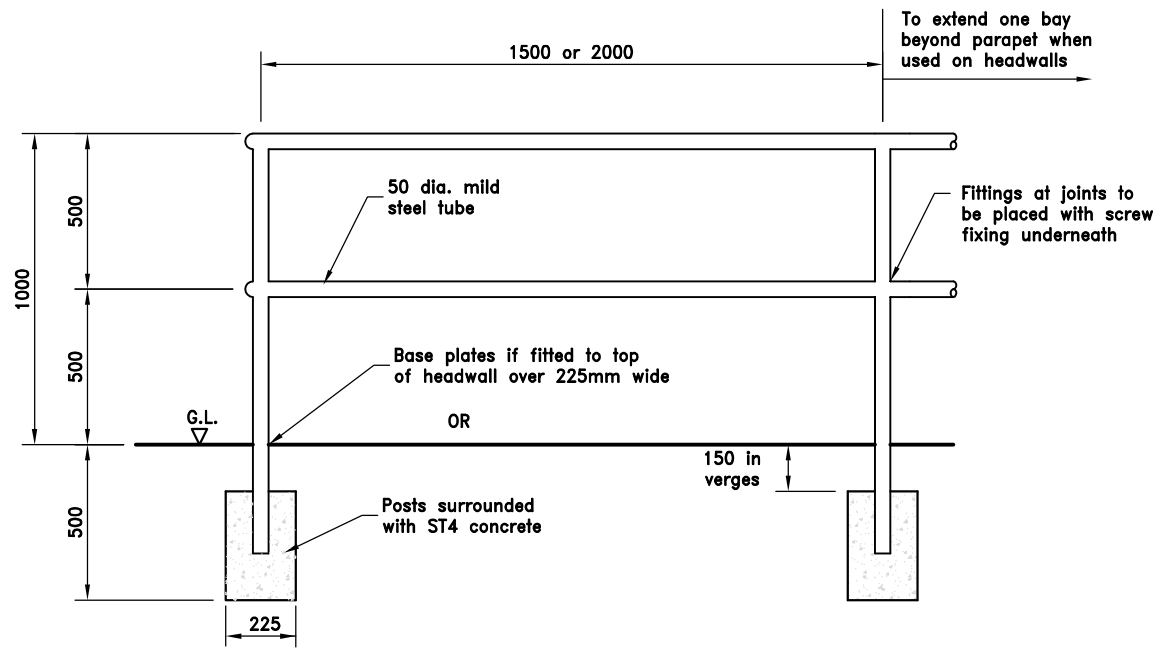


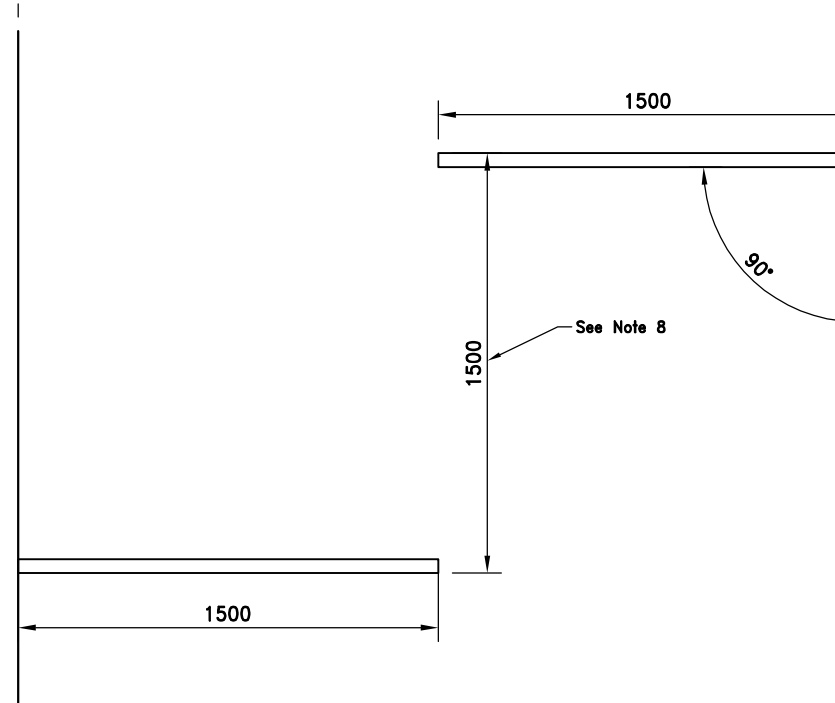
Drawing Number
SD/400/02A

Notes

1. All dimensions in millimetres unless stated otherwise.
2. Tubing to be steel complying with BS EN 10255: 2004.
3. Fittings on tubular guardrailing to be purpose made of malleable iron or aluminium with case hardened screw fitting tightened with a hexagonal key (e.g. KeeKlamp or similar approved).
4. Railings to be galvanised.
5. Pedestrian guardrailing may be used as an alternative for cycle track barriers.
6. A tapping rail may be required on tubular guardrailing.
7. A contrasting colour may be required on railings or barrier.
8. In situations where three barriers are used in a staggered formation, the horizontal separation shall be increased from 1500mm to 1800mm.



TUBULAR GUARDRAILING



TYPICAL PLAN OF BARRIER ON 3m CYCLETRACK

Do not scale this drawing

A	Mar 11	Various minor amendments & addition of cycletrack barrier	KPT
Rev	Date		Checked



Project
STANDARD DRAWINGS

Title
TUBULAR GUARDRAILING & CYCLETRACK BARRIERS

Drawing No.
SD/400/02A

Scale NOT TO SCALE Date

Department of Environment,
Culture & Communities